

KStrong® 6 ft. Welders Twin Leg SAL with Snap Hook and Rebar Hooks (ANSI)

Model: UFL201721

KStrong® 6 ft. Welders Twin leg 100% Tie-off shock absorbing lanyard with snap hook and rebar hooks (ANSI)

DESIGN

- Double, Y shaped lanyard
- Webbing lanyard incorporated with Energy absorber (PN 500)
- One side of the lanyard equipped with steel snap hook (PN 146) and the other side of the lanyard equipped with two Steel rebar hooks (PN 167)

WEBBING

Material: Aramid (Nomax Type)
Width: 0.98" ± 0.03" (25 ± 1mm)
Breaking strength: 6000 lbs (2722kg) (Min)

STITCHING THREAD

Material: Kevlar

METAL COMPONENTS

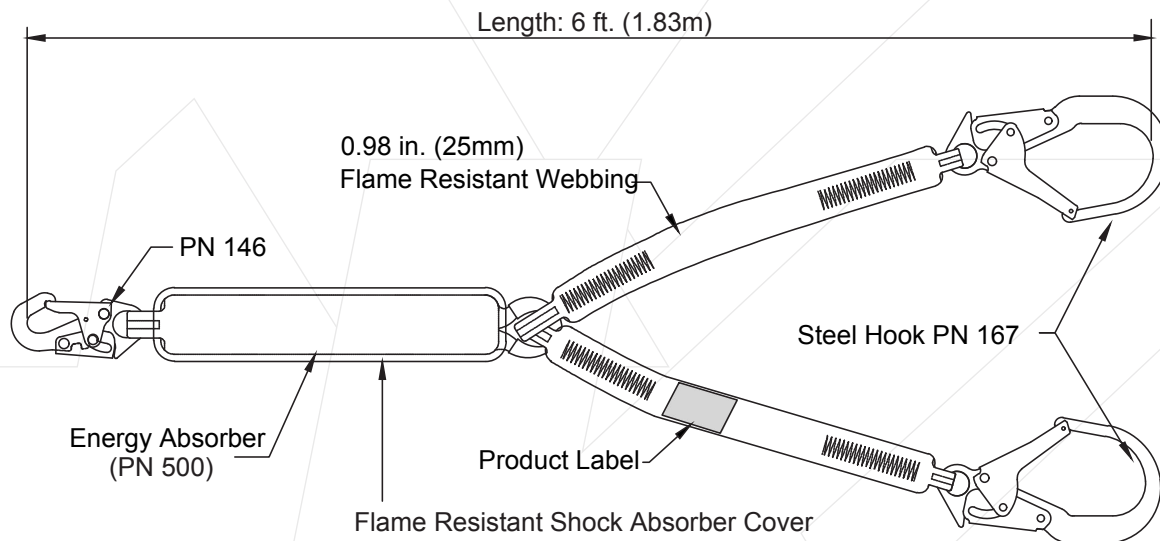
Material: Alloy Steel
Finish: Silver or Golden Yellow Galvanized
Breaking Strength: 5000 lbs (2268kg)

WEIGHT

5.67 lbs. ± 0.02 lbs. (2570gm ± 10gm)

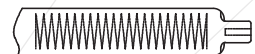
RELEVANT STANDARDS

Meets or Exceeds ANSI Z359.13-2013



Meets or Exceeds ANSI Z359.13-2013

Stitching Pattern



Length: 6 ft.