

KStrong® 6 ft. Arc Flash Rated Shock Absorbing Lanyard with Snap Hook and Rebar Hook (ANSI)

Model: UFL201701

KStrong® 6 ft. Welder's Shock absorbing lanyard with snap hook and rebar hook (ANSI)

DESIGN

- Webbing lanyard incorporated with Energy absorber
- One side of the lanyard equipped with steel snap hook and the other side of the lanyard equipped with Steel rebar hook

WEBBING

Material: Aramid (Nomax Type)
Width: 0.98" ± 0.03" (25 ± 1mm)
Breaking strength: 6000 lbs (2722kg) (Min)

STITCHING THREAD

Material: Kevlar

METAL COMPONENTS

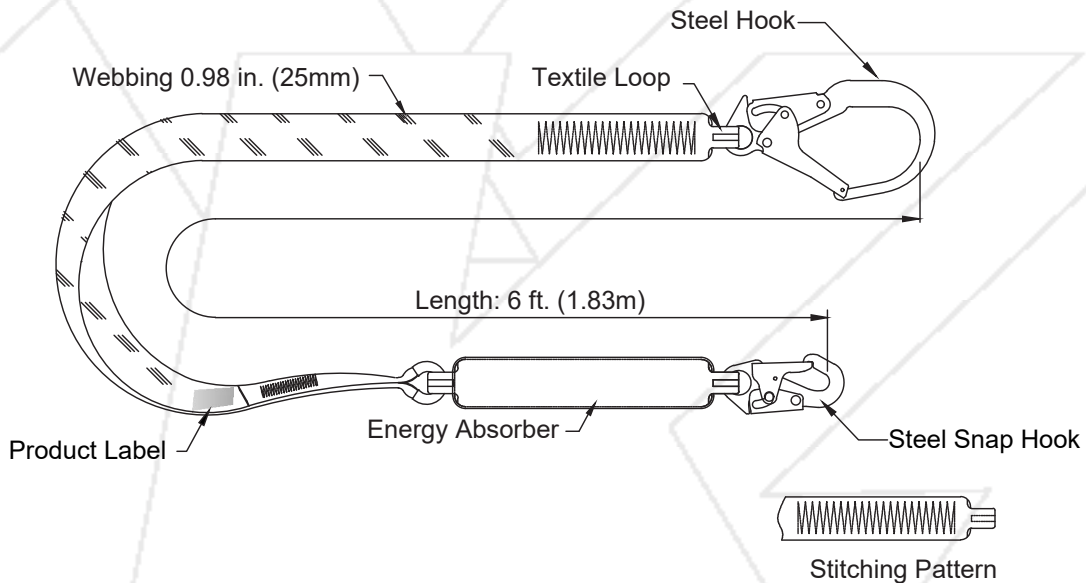
Material: Alloy Steel
Finish: Silver or Golden Yellow Galvanized
Breaking Strength: 5000 lbs (2268kg)

WEIGHT

3.36 lbs. ± 0.02 lbs. (1525gm ± 10gm)

RELEVANT STANDARDS

Meets or Exceeds ANSI Z359.13-2013



Batch #: _____ Serial #: _____
Date of First Use: _____