

KStrong® Bolt-on D-ring Anchor (ANSI)

Model: UFA30301

KStrong® Bolt-on steel two hole d-ring anchor.

DESIGN

- Anchor plate with 'D' ring can be easily installed on the structure with help of M12 chemical as well as mechanical fasteners.
- Easy to install, light in weight & is reusable.
- The D-Ring can be safely used as an Anchor point.

MATERIAL

High Strength Alloy Steel.

FINISH

Shot blasted and zinc plated yellow passivation

MINIMUM BREAKING STRENGTH

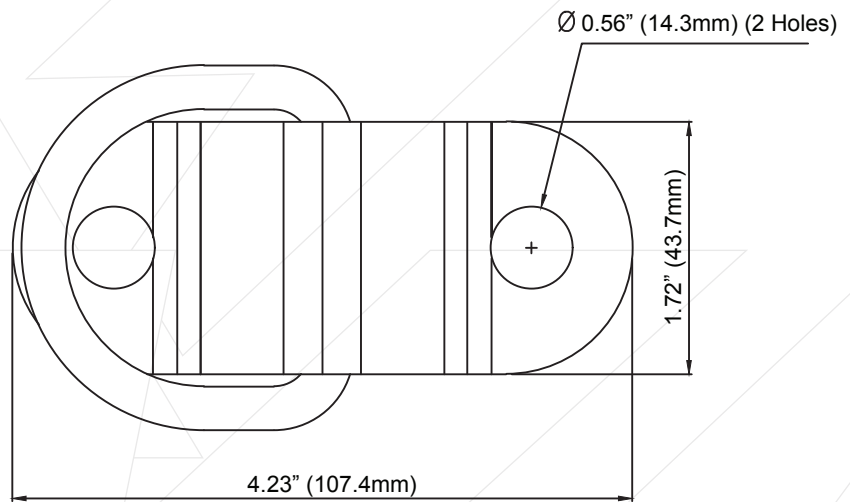
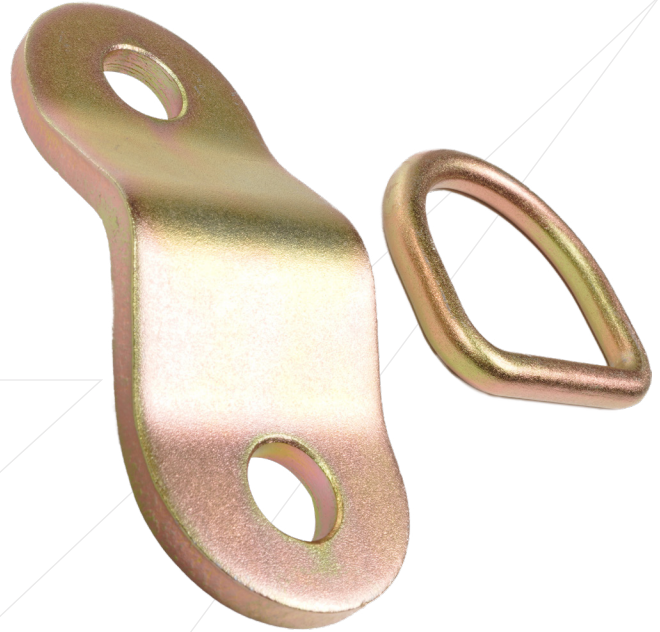
5000 lbs (2268 kg)

WEIGHT

0.63 Pound. \pm 0.022 Pound. (286 g \pm 10 g)

RELEVANT STANDARDS

Meets or Exceeds ANSI Z359.18-2017 Type A



Anchor Plate

D-ring

Meets or Exceeds ANSI Z359.18-2017 Type A