

## KStrong® Kaptor™ Webbing Tool Connector S - 65mm, 1.36kg

Model: DL100351

**KAPTOR™**  
TOOL LANYARDS

### DESIGN

- Small tool attachment made in 15mm polyester webbing with swivel at one end and folded end at other end
- Provided with a lightweight swivel

### MATERIAL

Webbing - 15mm Polyester.  
Swivel - Alloy Steel

### CAPACITY

1.36kg

### LENGTH

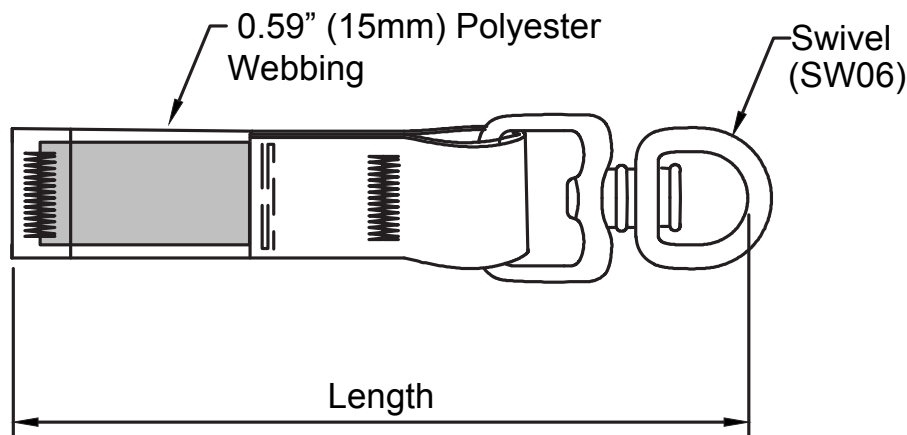
65mm

### WEIGHT

14 gm ± 1 gm

### RELEVANT STANDARDS

Meets or Exceeds ANSI/ISEA 121-2018



Length- 2.5" (63.5mm)

Meets or Exceeds ANSI/ISEA 121-2018

