

DEAD WEIGHT DAVIT

KStrong Extreme Davit systems have been designed for confined space entry / retrieval applications. Its modular interchangeable design allows the system to be mounted on multiple bases for all applications.



Parts of Dead Weight Davit



Trolley
AFT751095



Dead Weight(26 Nos.)
AFT751025
650.0 kgs ± 0.20 kgs

Arm adjustment

Product Code	Picture	Bracket used for Mounting
Retrieval Bracket AFT710007UR		Universal Mounting Bracket for mounting Retrieval Blocks *to be purchase separately

AFT751090	Upper	Middle	Lower
Distance from Column	0.675 m	0.845 m	0.920 m
Height of arm	2.220 m	1.950 m	1.630 m

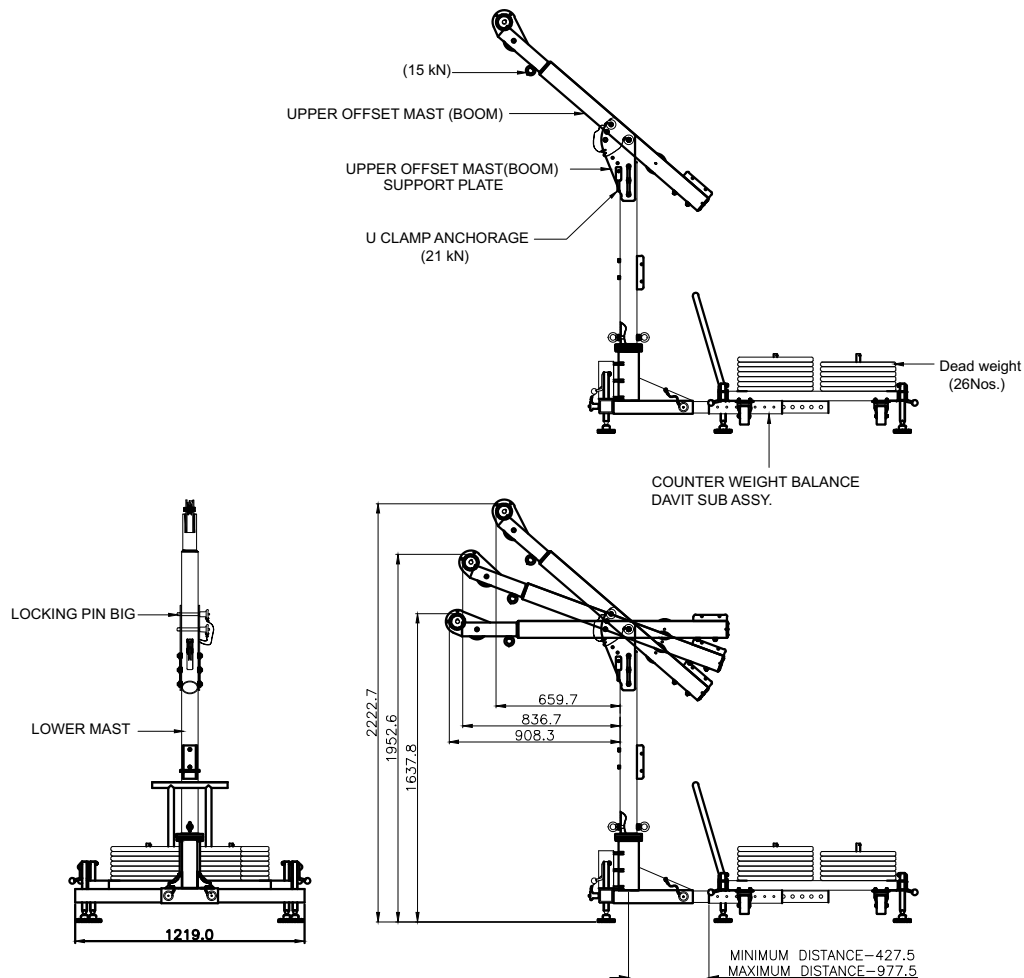
FEATURES

- The Dead Weight Davit is a portable fall arrest system designed to provide a safe and secure means of accessing confined spaces where traditional overhead support structures and base grouting are not feasible.
- The system consists of a dead weight trolley with 650kgs dead weight plates (excluding trolley weight), providing stability during operation. This ensures that the system remains secure and steady during use.
- The Dead Weight Davit is designed to be compatible with specific KStrong Winches, including AFT730020, AFT730040, AFTZ30042, AFT730120 and AFT730135. It also works with Retrieval Blocks AFS510020R and AFS510030R. Each of these components can be mounted using their respective mounting bracket AFT710007UR.
- The system is equipped with wheels on the trolley, making it easy to move from one location to another. This allows for flexibility and convenience when working in different areas.
- The upper mast offset (boom) of the Dead Weight Davit comes with three adjustable positions, enabling the user to set the height according to the specific requirements of the task or confined space being accessed.
- The trolley is equipped with a height adjuster, which ensures proper stability of the anchor post during operation. This feature enhances safety and security while working at heights.
- Certified to EN 795:2012 Type B.

How To Use

Refer to User Instruction Manual





TECHNICAL SNAPSHOT

Material	High Strength and Durable Aluminium Alloy
Maximum Load Capacity	500 kg (for Confined Space Rescue) 250 kg (for Material Lifting as per Machine Directive)
Finish	Powder Coated
System Strength	21kN
Certification	EN 795:2012 Type B
Weight	750kgs ± 0.20kgs including 650kgs dead weight

DAVIT MAST

Features

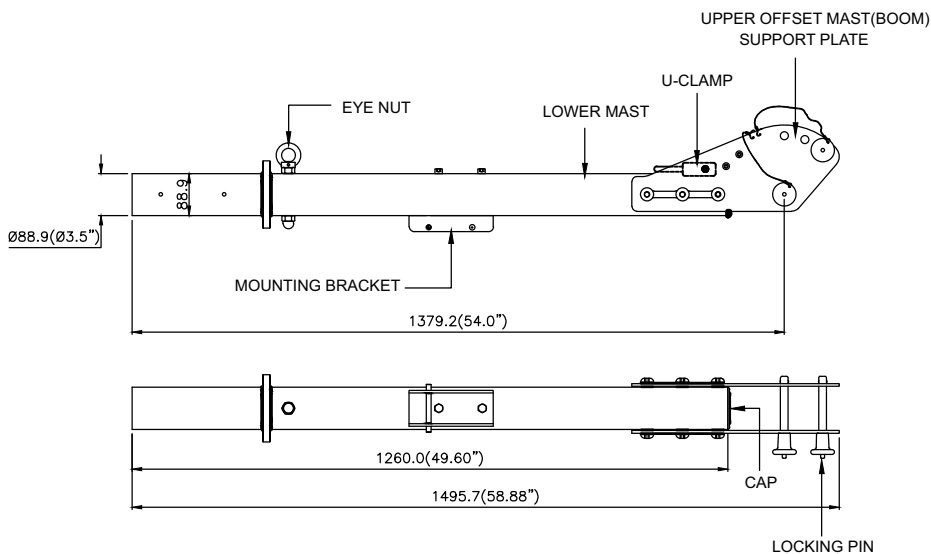
- Lower mast assembly is designed to be fixed on different davit system with H-Base davit, Wall/floor mounted, Hitch mounting davit/Concrete flush mounted davit.
- Comes with pre installed mounting bracket which is Compatible with Retrieval blocks by using universal mounting bracket.
- Upper offset mast (BOOM) support plate is designed to attach the Upper offset mast with the help of locking pins & can be adjusted at 3 defined positions.
- Additional eye nut is provide to use as an anchorage point in case of rescue.
- Cap is provided on top of assembly to prevent from ingress of water and dust particle.

Components

Lower mast	:	Aluminium alloy, Powder Coated Black
Eye nut	:	Stainless steel, electropolished / E Coated
Mounting bracket	:	Alloy steel, ED coated black

Weight

18.089 kgs ± 0.20 kgs



DAVIT BOOM CANTILEVER ARM ASSEMBLY

Features

- Offset mast (BOOM) is designed to be fixed upon Lower mast assembly to make complete Davit system for confined space entry.
- Upper Offset Mast can be used with Lower mast of all models of davit system (i.e. H-Base mounting, Wall/floor mounted, Hitch mounting davit/Concrete flush mounted davits).
- Comes with pre-installed mounting bracket which is compatible to mount STRONG winches- AFT730020, AFT730040, AFT730042, AFT730042SS, AFT730120, AFT730135
- Comes with pulleys, which are used for smooth movement of rope / wire used for lowering / lifting or rescue.
- Additional eye nut is provide to use as an anchorage point in case of rescue.

Components

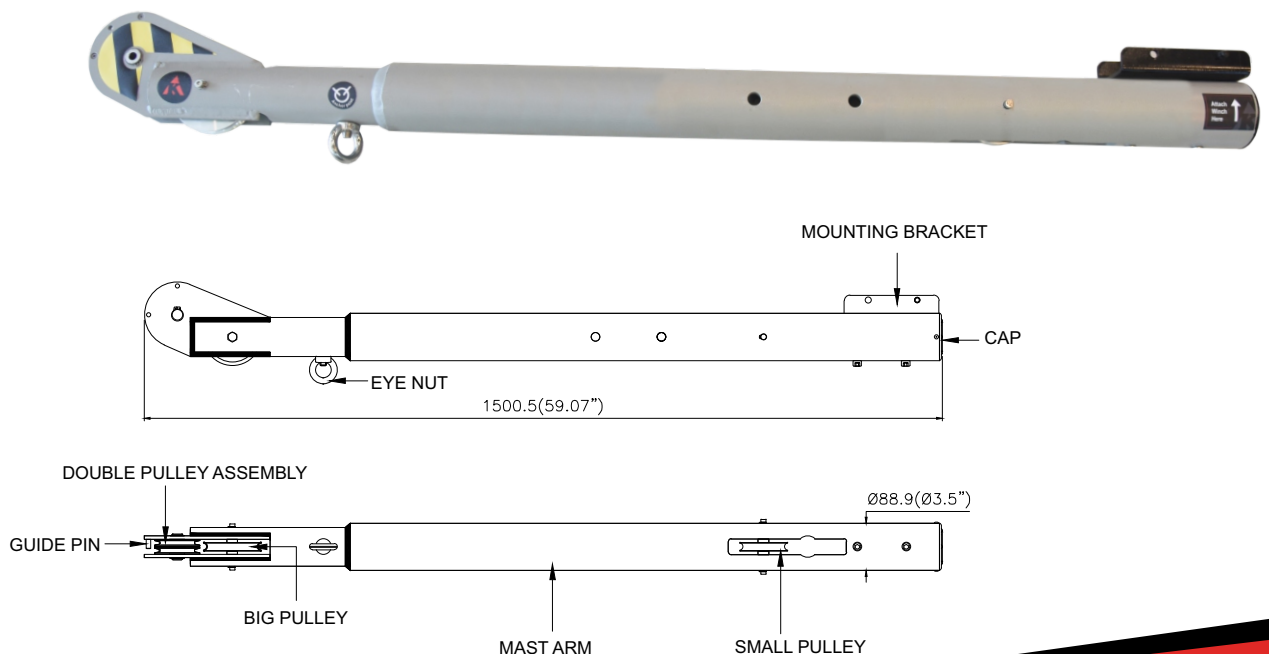
Mast arm & Big pulley	:	Aluminium alloy, ED coated grey
Small pulley & Eye nut	:	Stainless steel, electropolished / E Coated
Mounting bracket	:	Alloy steel, ED coated black

System Strength

15kN

Weight

12.47 kgs ± 0.20 kgs



COUNTERWEIGHT TROLLEY ONLY

Features

- Trolley provides a safe and secure system for easy access to Confined space where overhead support structures & base grouting is not possible.
- Trolley comes with a dead weight having 650kgs dead weight plates(Excluding Trolley weight) to make it stable.
- Trolley can be easily moved from one place to another by help of wheels on trolley.



Components

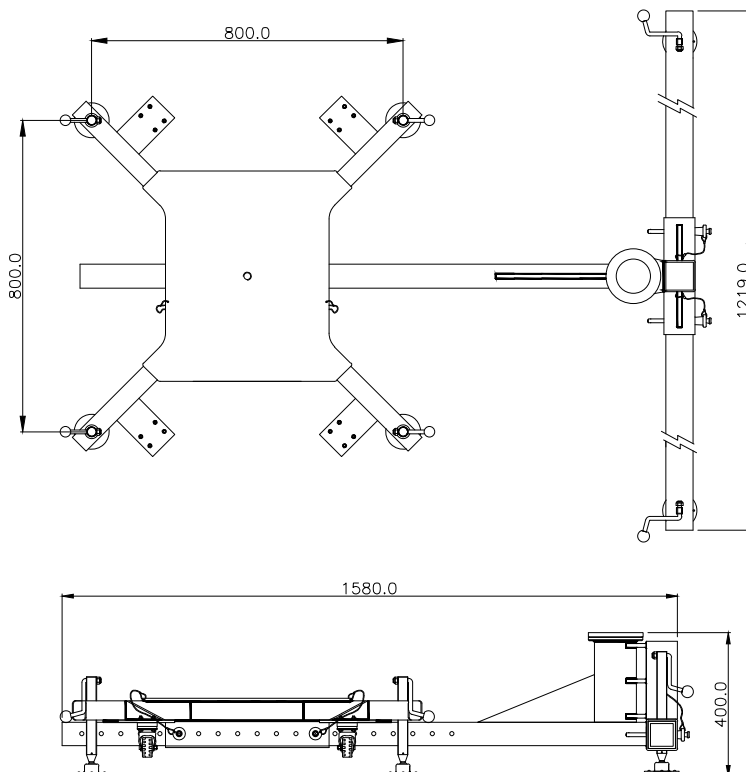
Trolley	:	Alloy Steel, Powder Coated Black
System Strength	:	15 kN

Load Capacity

500 KG

Weight

45.00 kgs ± 0.20 kgs



COUNTER WEIGHTS 650KG (26 PLATES - 25KG EACH)

Features

- Dead weight designed to provide extra load on trolley to make it more stable while moving.
- It reduces the possibility of pendulum motion occurring in the event of a fall.

Material

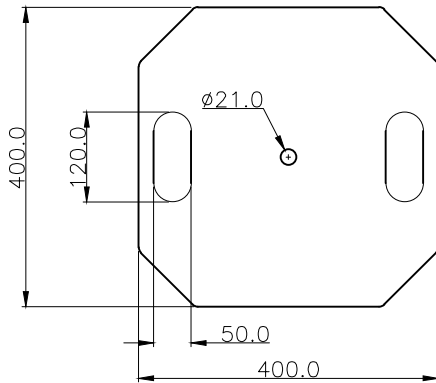
Alloy Steel

Finish

ED Coated / Powder Coated

Weight

Dead Weight(26 Nos.) : 650.0 kgs ± 0.20 kgs



DEADWEIGHT

