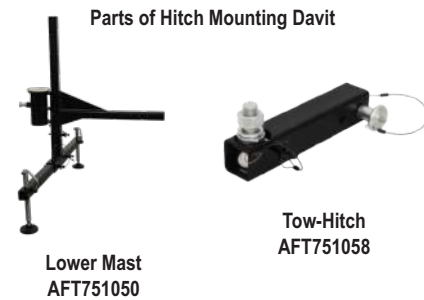



## HITCH MOUNTING DAVIT

KStrong Extreme Davit systems have been designed for confined space entry / retrieval applications. Its modular interchangeable design allows the system to be mounted on multiple bases for all applications.



### Arm adjustment

AFT751085	Upper	Middle	Lower
Distance from Column	0.675 m	0.845 m	0.920 m
Height of arm	2.480 m	2.200 m	1.890 m

Product Code	Picture	Bracket used for Mounting
Retrieval Bracket AFT710007UR		Universal Mounting Bracket for mounting Retrieval Blocks *to be purchase separately

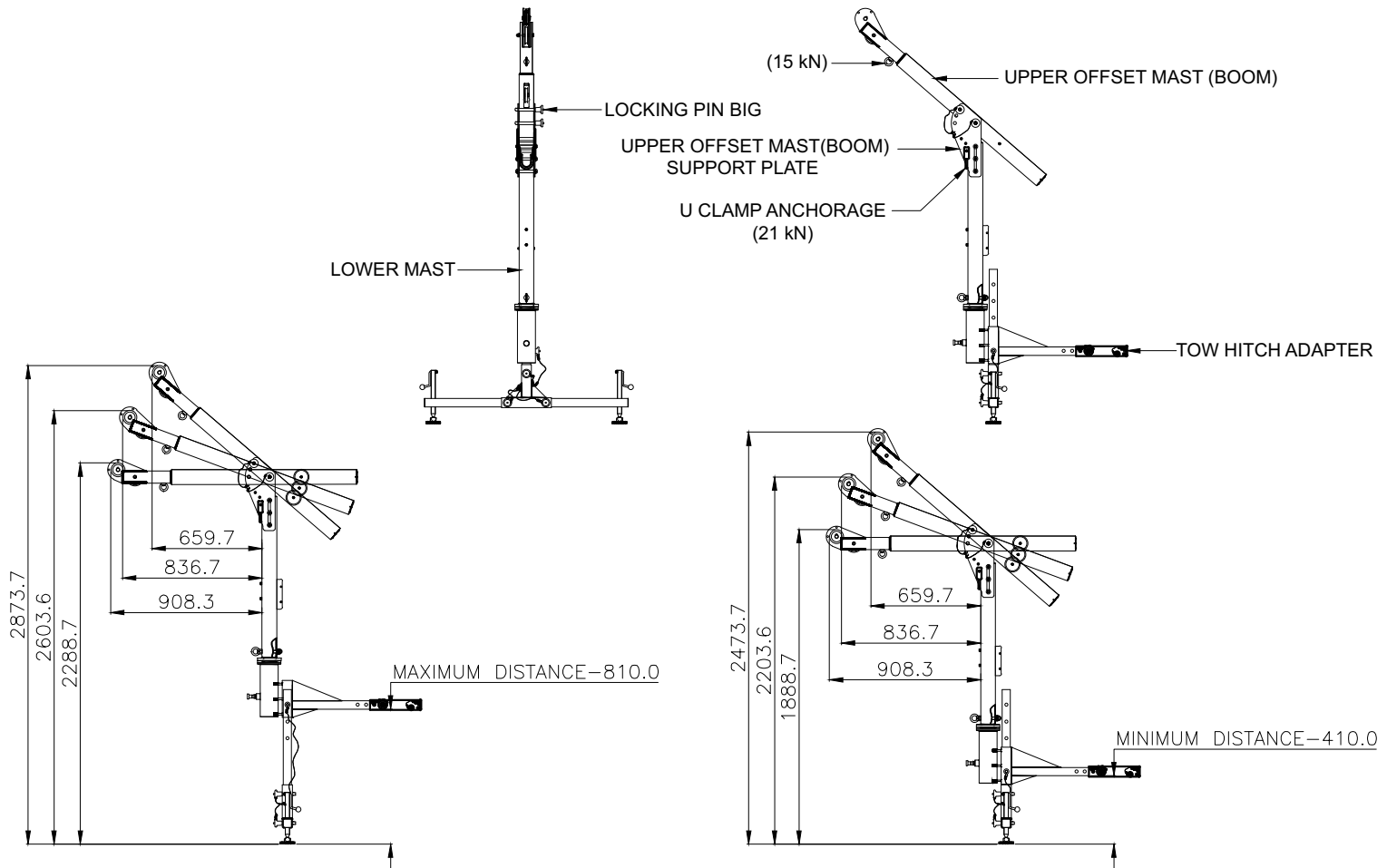
## FEATURES

- The Hitch Mounting Davit (AFT751085) is a portable fall arrest system that offers a safe and secure solution for accessing confined spaces where overhead support structures are not available.
- The Davit can be easily and quickly attached to a vehicle with a tow hitch. This allows for convenient transportation and deployment of the system.
- The system comes with a upper mast offset (boom) that offers three adjustment positions. Users can adjust the height of the arm according to their requirements, providing flexibility in different confined space situations.
- The Davit includes a foldable leg, which aids in transportation and installation. The leg can be folded when not in use, making it easier to store and carry the system.
- The Hitch Mounting Davit is compatible with specific KStrong winches, such as AFT730020, AFT730040, AFTZ30042, AFT730120 and AFT730135 and the Stainless Steel variants. It is also compatible with retrieval blocks AFS510020R/AFS510020RSS and AFS510030R/AFS510030RSS . Each of these devices has its respective mounting bracket AFT710007UR for secure attachment to the Davit.
- The trailer hitch mount of the Davit is designed to fit into a 2" (51.0mm) hitch receiver. This allows the system to be attached to any vehicle with a compatible hitch receiver, providing a portable anchor point for confined space entry, retrieval, rescue, and fall arrest operations.
- Conforms to AS/NZS 5532:2013 & Certified to EN 795:2012 Type B

## How To Use

Refer to User Instruction Manual





**TECHNICAL SNAPSHOT**

<b>Material</b>	High Strength and Durable Aluminium Alloy
<b>Maximum Load Capacity</b>	500 kg (for Confined Space Rescue) 250 kg (for Material Lifting as per Machine Directive)
<b>Finish</b>	Powder Coated
<b>System Strength</b>	15kN
<b>Certification</b>	EN 795:2012 Type A & Conforms to AS/NZS 5532:2013
<b>Weight</b>	56.54kgs

## DAVIT MAST

### Features

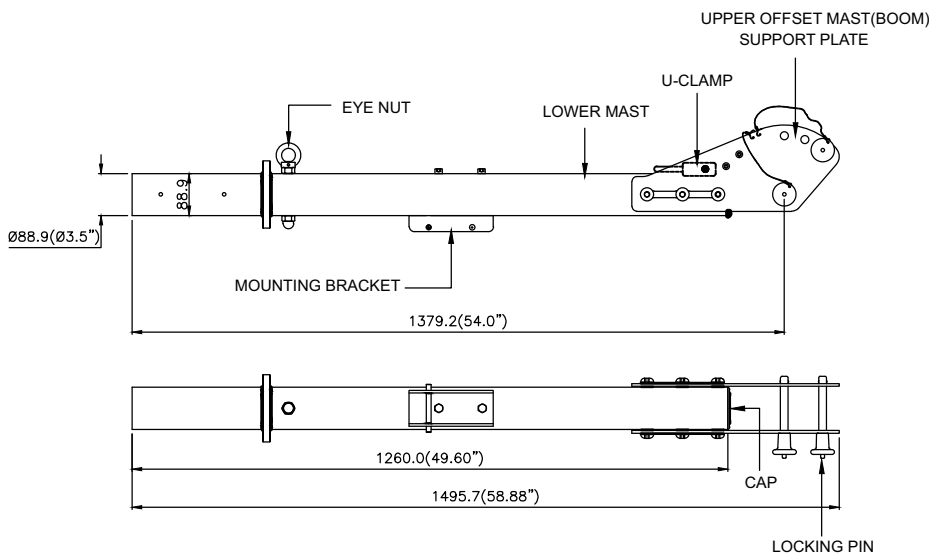
- Lower mast assembly is designed to be fixed on different davit system with H-Base davit, Wall/floor mounted, Hitch mounting davit/Concrete flush mounted davit.
- Comes with pre installed mounting bracket which is Compatible with Retrieval blocks by using universal mounting bracket.
- Upper offset mast (BOOM) support plate is designed to attach the Upper offset mast with the help of locking pins & can be adjusted at 3 defined positions.
- Additional eye nut is provide to use as an anchorage point in case of rescue.
- Cap is provided on top of assembly to prevent from ingress of water and dust particle.

### Components

Lower mast	:	Aluminium alloy, Powder Coated Black
Eye nut	:	Stainless steel, electropolished / E Coated
Mounting bracket	:	Alloy steel, ED coated black

### Weight

18.089 kgs ± 0.20 kgs



## DAVIT BOOM CANTILEVER ARM ASSEMBLY

### Features

- Offset mast (BOOM) is designed to be fixed upon Lower mast assembly to make complete Davit system for confined space entry.
- Upper Offset Mast can be used with Lower mast of all models of davit system (i.e. H-Base mounting, Wall/floor mounted, Hitch mounting davit/Concrete flush mounted davits).
- Comes with pre-installed mounting bracket which is compatible to mount STRONG winches- AFT730020, AFT730040, AFT730042, AFT730042SS, AFT730120, AFT730135
- Comes with pulleys, which are used for smooth movement of rope / wire used for lowering / lifting or rescue.
- Additional eye nut is provide to use as an anchorage point in case of rescue.

### Components

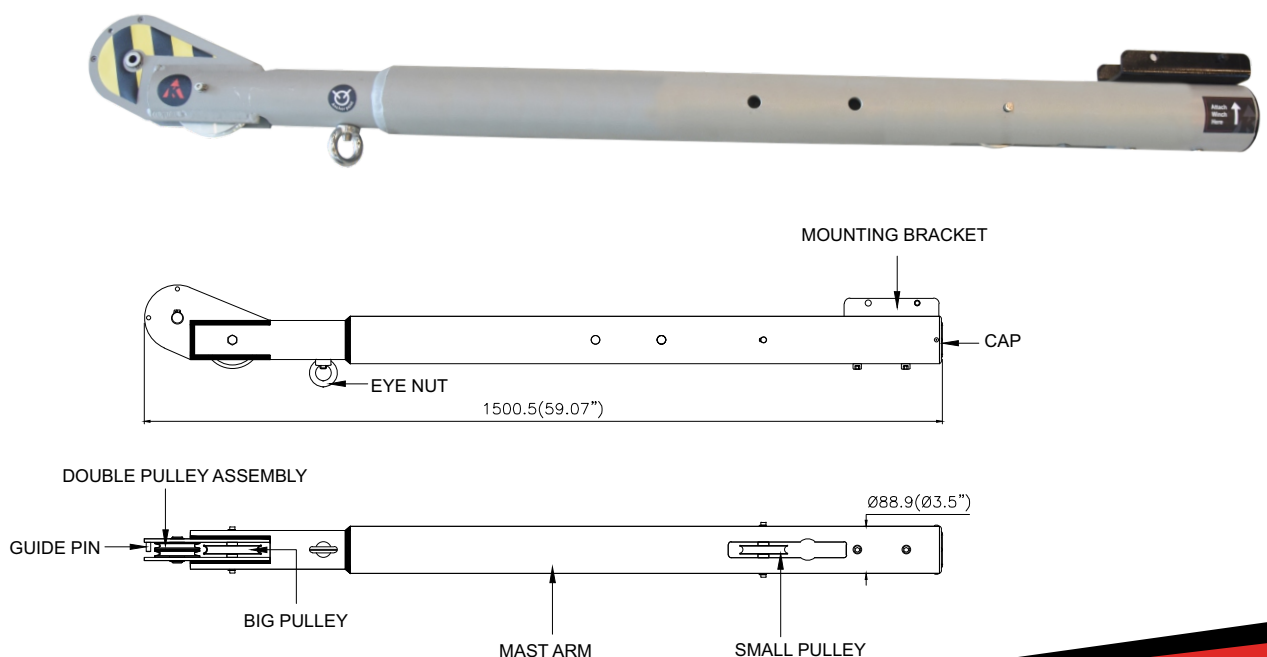
Mast arm & Big pulley	:	Aluminium alloy, ED coated grey
Small pulley & Eye nut	:	Stainless steel, electropolished / E Coated
Mounting bracket	:	Alloy steel, ED coated black

### System Strength

15kN

### Weight

12.47 kgs ± 0.20 kgs



## TRAILER HITCH MOUNTING SLEEVE SUB ASSEMBLY

### Features

- Hitch mounting Sleeve portable fall arrest system provides a safe and secure system for easy access to Confined space where overhead support structures are not available.
- Compatible with KStrong lower mast of davit systems.
- The hitch mount sleeve is designed to fit into 2"(51.0mm) hitch receiver with help of tow hitch adapter attached to any vehicle to provide a portable anchor point for confined space entry/retrieval, rescue and fall arrest system.

### Components

Mounting Sleeve : Alloy Steel, Powder Coated

### System Strength

15kN

### Max Load Capacity

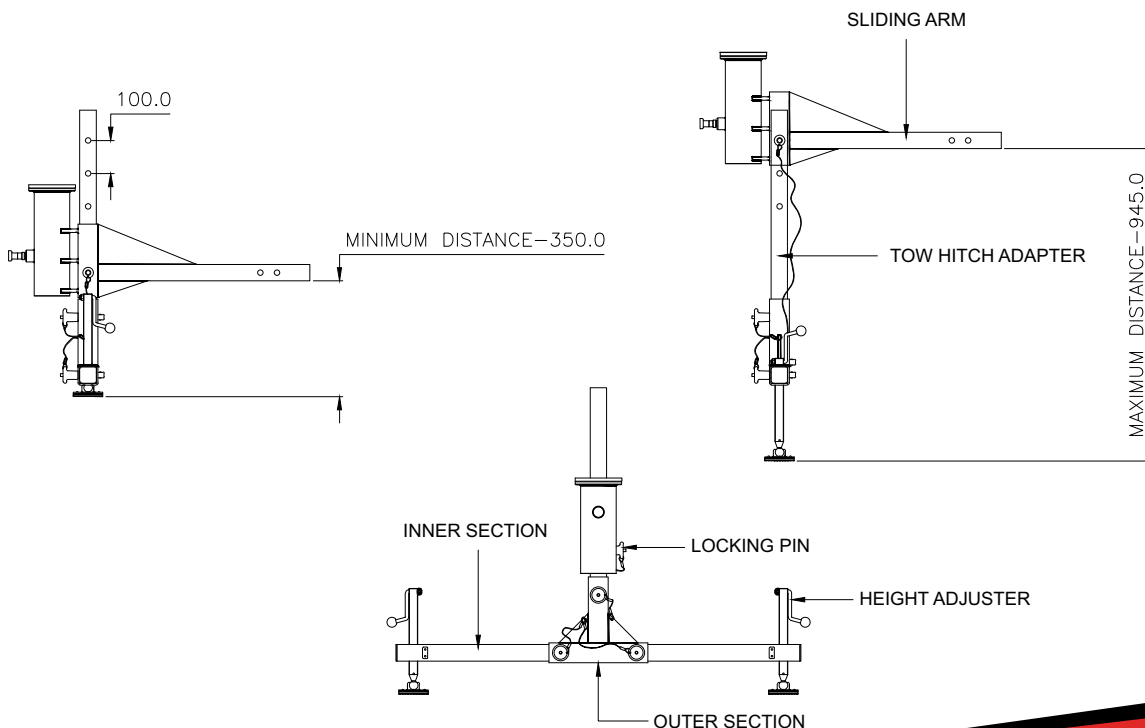
500 kgs

### Weight

29.72 kgs ± 0.10 kgs

### Standards

Conforms to EN 795 : 2012 TYPE B & AS/NZS 5532:2013



## TOW HITCH

### Features

- Anchor bracket adapter used to connect the towing hook of a vehicle with the hitch mounting sleeve (AFT751050).
- Locking pin to be used for attachment points

### Material

High Strength Alloy Steel

### Finish

Powder Coated

### Weight

2.443 kgs ± 0.10 kgs

