

## MODULAR DAVIT WITH WALL MOUNTING BASE

KStrong Extreme Davit systems have been designed for confined space entry / retrieval applications. Its modular interchangeable design allows the system to be mounted on multiple bases for all applications.

### FEATURES



- The Extreme Wall Mounted Davit breaks down into two components for easy storage, transport and setup. No tools are required for assembly. (MAST AFT756201 & Boom AFT756001)
- Wall Mount Bases are designed to be mounted to concrete or steel structure.
- Base Installation must be approved to local regulations by a qualified engineer.

### How To Use

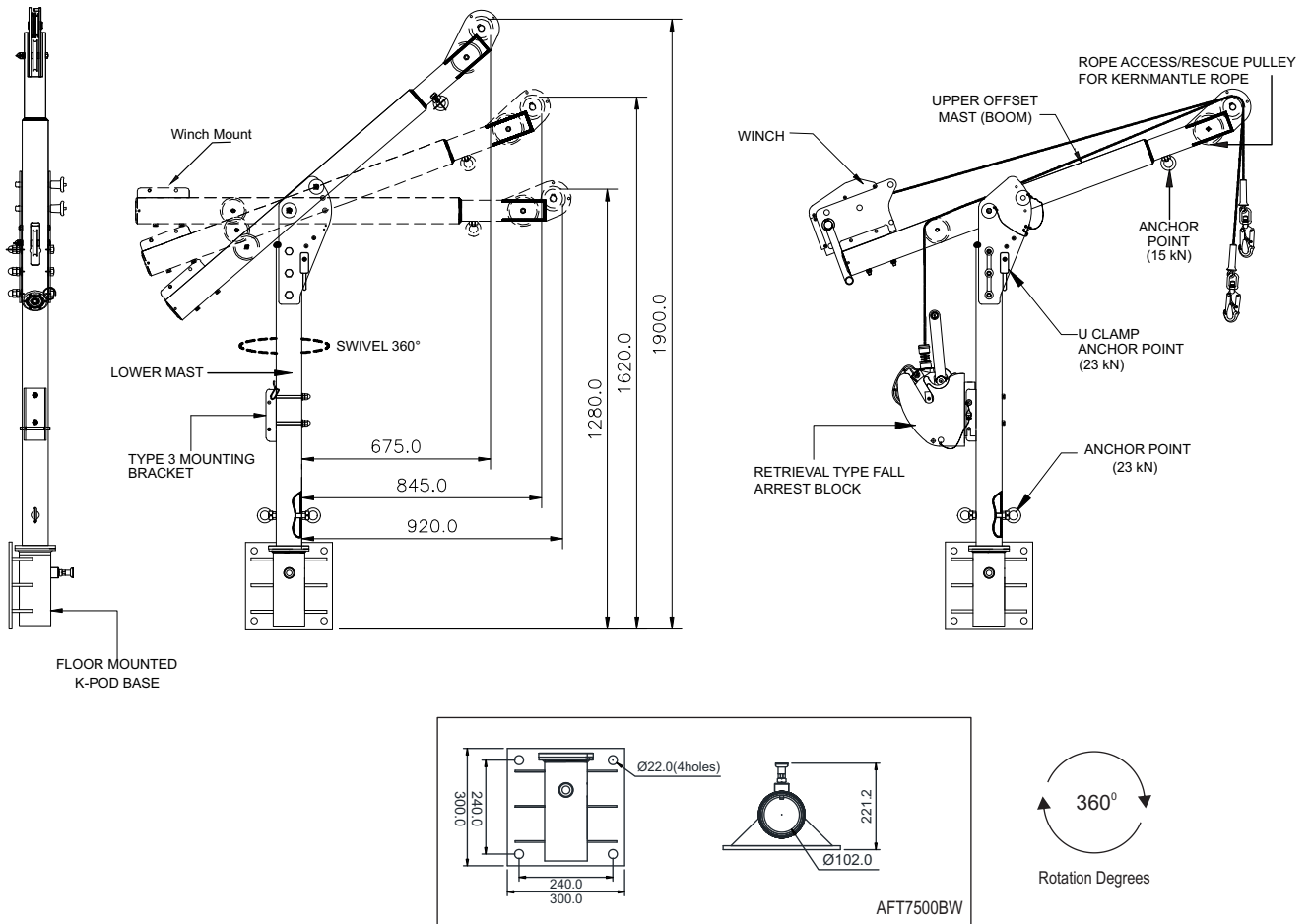
Refer to User Instruction Manual



Height Adjustment And Reach

Product Code	Picture	Bracket used for Mounting
Winch Bracket AFT710007UW		Winch AFT730020, AFT730040 AFT730042
Retrieval Bracket AFT710007UR		Retrieval Blocks AFS510020R/ AFS510020RSS AFS510030R/ AFS510030RSS

Product Code	Upper	Middle	Lower
Distance from column	0.675 m	0.845 m	0.920 m
Height of arm	1.900 m	1.620 m	1.280 m



**TECHNICAL SNAPSHOT**

<b>Material</b>	High Strength and Durable Aluminium Alloy
<b>Maximum Load Capacity</b>	500 kg (for Confined Space Rescue) 250 kg (for Material Lifting as per Machine Directive)
<b>Finish</b>	Powder Coated
<b>System Strength</b>	15kN
<b>Certification</b>	EN 795:2012 Type A & AS/NZS 5532:2013
<b>Weight</b>	Mast & Boom: 44.44kgs ± 0.10kgs Floor mount Base: 9.97kg ± 0.10kgs

## DAVIT MAST

### Features

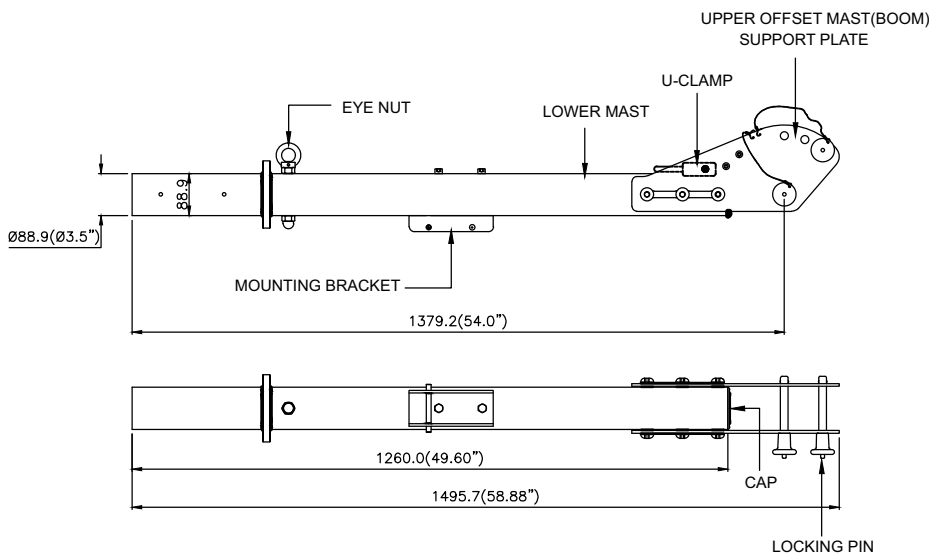
- Lower mast assembly is designed to be fixed on different davit system with H-Base davit, Wall/floor mounted, Hitch mounting davit/Concrete flush mounted davit.
- Comes with pre installed mounting bracket which is Compatible with Retrieval blocks by using universal mounting bracket.
- Upper offset mast (BOOM) support plate is designed to attach the Upper offset mast with the help of locking pins & can be adjusted at 3 defined positions.
- Additional eye nut is provide to use as an anchorage point in case of rescue.
- Cap is provided on top of assembly to prevent from ingress of water and dust particle.

### Components

Lower mast	:	Aluminium alloy, Powder Coated Black
Eye nut	:	Stainless steel, electropolished / E Coated
Mounting bracket	:	Alloy steel, ED coated black

### Weight

18.089 kgs ± 0.20 kgs



## DAVIT BOOM CANTILEVER ARM ASSEMBLY

### Features

- Offset mast (BOOM) is designed to be fixed upon Lower mast assembly to make complete Davit system for confined space entry.
- Upper Offset Mast can be used with Lower mast of all models of davit system (i.e. H-Base mounting, Wall/floor mounted, Hitch mounting davit/Concrete flush mounted davits).
- Comes with pre-installed mounting bracket which is compatible to mount STRONG winches- AFT730020, AFT730040, AFT730042, AFT730042SS, AFT730120, AFT730135
- Comes with pulleys, which are used for smooth movement of rope / wire used for lowering / lifting or rescue.
- Additional eye nut is provide to use as an anchorage point in case of rescue.

### Components

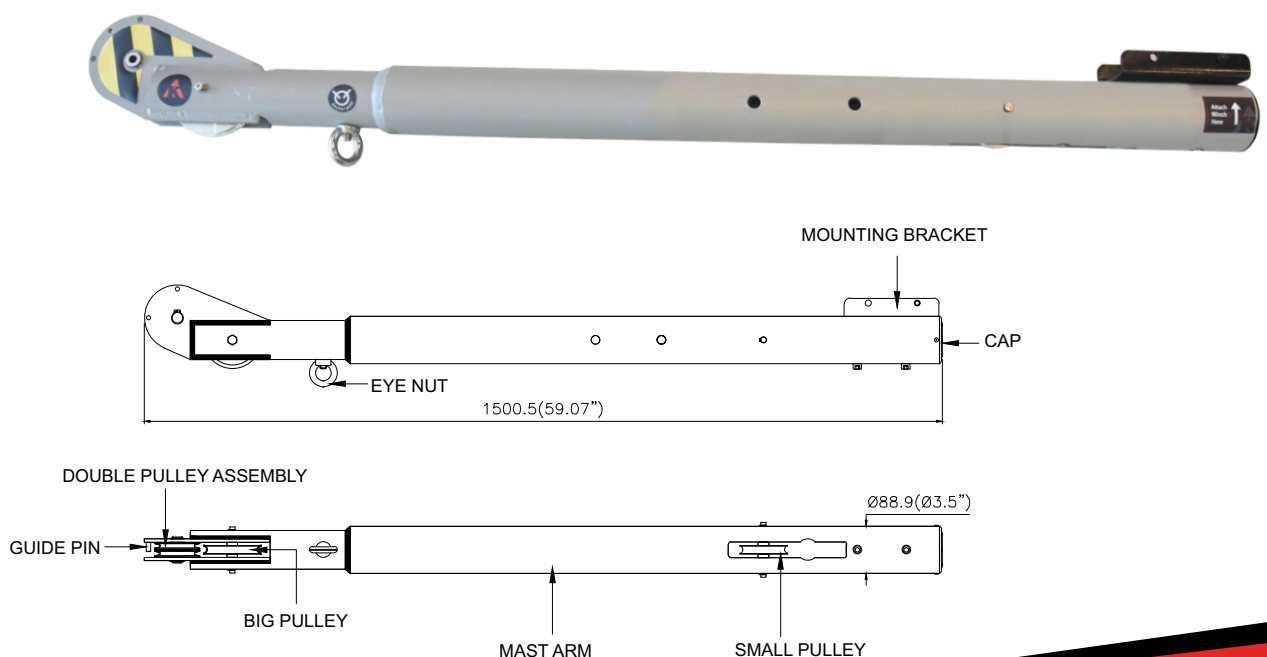
Mast arm & Big pulley	:	Aluminium alloy, ED coated grey
Small pulley & Eye nut	:	Stainless steel, electropolished / E Coated
Mounting bracket	:	Alloy steel, ED coated black

### System Strength

15kN

### Weight

12.47 kgs ± 0.20 kgs



## WALL MOUNTING SS BASE TO SUIT DAVITS

### Features

- Wall mounting base to easily mount KStrong confined system such as Tripod, Davits on various floor such as concrete, metal structure or vehicle with help of suitable fasteners to access various confined spaces.
- A Polymer sleeve inside to prevent metal to metal contact and longer service life.

### Components

Housing	: Stainless steel, electropolished / E Coated
Sleeve	: PTFE

### Capacity

300 KG

### Weight

9.97 kgs ± 0.10kgs

