

# KSTRONG EDGE TROLLEY BEAM ANCHOR 80MM -250MM

**AFA930412**


Trolley Beam anchors attach to structural steel beams to create a movable rolling anchor point for a fall arrest device. The Rolling Beam anchor adjusts to fit a range of beam widths.

## Features

- Provides a movable Anchorage Point using the length of the beam to which it is mounted, to move along with the user.
- Highly corrosion resistant and easy to install.
- Comes with adjustable flanges for use on different beam sizes.
- The trolley allows continuous safe Anchorage by allowing the Anchor Point to travel across the length of the beam, along with the user.
- The wheels of the trolley provide extremely smooth movement over the beam, over which it is mounted.
- Suitable for Flanges widths of 80mm -250mm



## How To Use

Refer to User Instruction Manual 

## Metal Components

Material	:	Aluminum Alloy & Stainless Steel
Finish	:	Anodized
Minimum Breaking Strength	:	23kN

## Weight

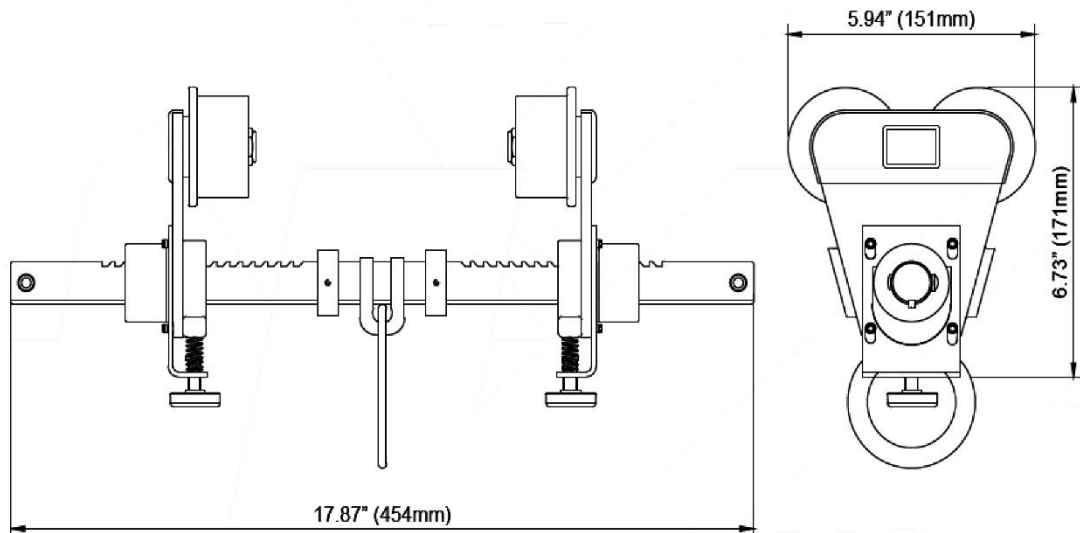
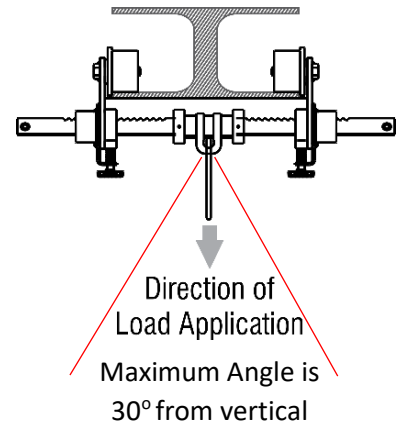
3.9 kg ± 0.1 kg

## System Strength

23kN

## Relevant Standards

Tested as per AS/NZS 5532:2013, EN 795:2012 Type B & ANSI Z 359.18.2017 TYPE A



CE 0598