

## KStrong® 6 ft. Micron™ SRL with aluminum carabiner (ANSI)

KStrong® 6 ft. Micron™ Lightweight SRL with one (1) lightweight aluminum carabiner at anchor end (ANSI)

Model: UFS351102

# MICRON™

SRL SERIES

### PHYSICAL PARAMETERS

- Lightest available SRL in it's range/class.
- Robust & durable plastic casing.
- Technora Webbing with Energy absorber.
- Aluminium Quarter turn locking hook with fall indicator at Attachment end (Our ref. PN130A)

### LENGTH

6 ft.

### WEBBING

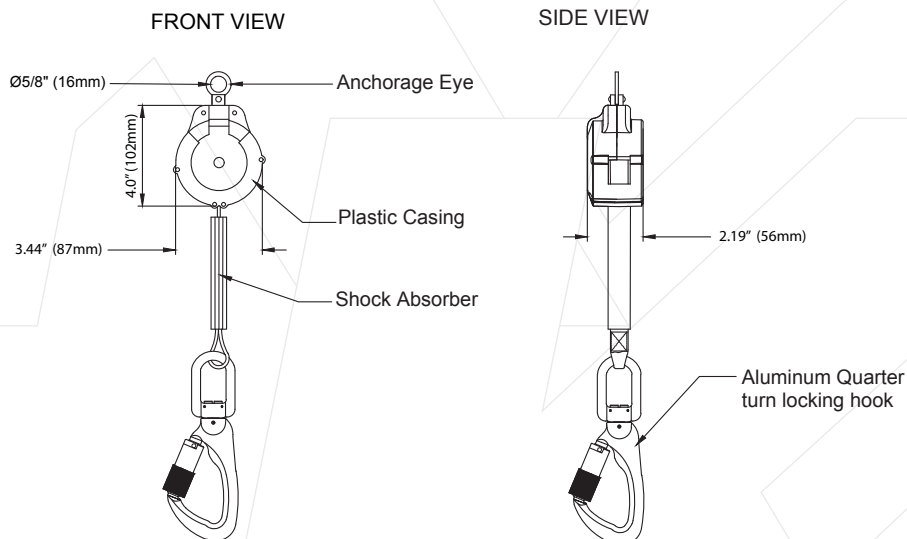
Material: Technora Webbing 0.827" (21mm)  
Min. Breaking strength: 4500 lbs.

### WEIGHT

2.49 lbs. ± 0.22 lbs. (1129 gm ± 100 gm)

### RELEVANT STANDARDS

Meets or Exceeds ANSI Z359.14-2014 CLASS A



Meets or Exceeds ANSI Z359.14-2014 CLASS A