

## KStrong® Dual 6 ft. Micron™ SRL assembly with snap hooks (ANSI). Includes connector to attach to harness.

Model: UFS350002D

# MICRON™

## SRL SERIES

KStrong® Dual 6 ft. Micron™ Lightweight SRL assembly with one (1) snap hook at each anchor end (ANSI) Includes one (1) connector to attach to harness.

### PHYSICAL PARAMETERS

- Lightest available SRL in it's range/class.
- Robust & durable plastic casing.
- Technora Webbing with Energy absorber.
- Steel snap hook at Attachment end (Our ref. PN146)

### LENGTH

6 ft.

### WEBBING

Material: Technora Webbing 0.827" (21mm)  
Min. Breaking strength: 4500 lbs.

### WEIGHT

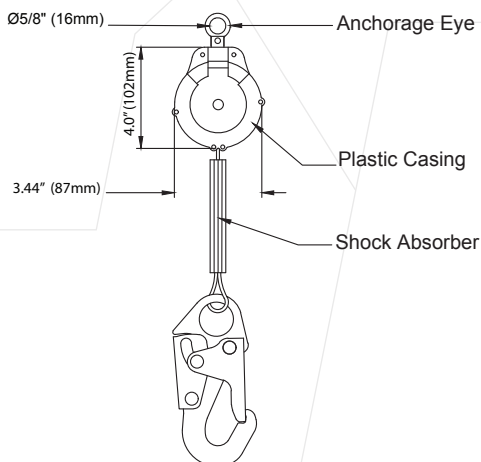
7.10 lbs. ± 0.22 lbs. (3221 gm ± 100 gm)

### RELEVANT STANDARDS

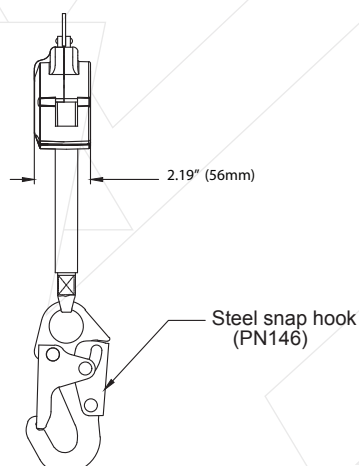
Meets or Exceeds ANSI Z359.14-2014 CLASS A



FRONT VIEW



SIDE VIEW



Meets or Exceeds ANSI Z359.14-2014 CLASS A