

## KStrong® BRUTE™ 18 ft. Cable SRL-LE with snap hook. Includes installation carabiner and tagline (ANSI).

Model: UFS310018L

KStrong® BRUTE™ 18' Galvanized Wire Cable SRL-LE (ANSI Leading Edge Rated) with High Impact Strength Polymer Housing with Built-in Handle, swivel eye at anchorage end, other end with load indicator swivel snap hook. Includes one (1) installation carabiner and one (1) tagline AFZ830025 (ANSI).

# BRUTE™

SRL SERIES

### PHYSICAL PARAMETERS

- Robust & durable plastic casing
- Has swivel anchorage eye at anchorage end
- Steel swivel hook at retractable end (Our ref. PN 144 as per ANSI Z359.12-2009 gate strength 3600 lbs. (1633 kg))
- Galvanized steel wire rope (option of having S.S. wire rope available)

### LENGTH

18 Feet

### CABLE

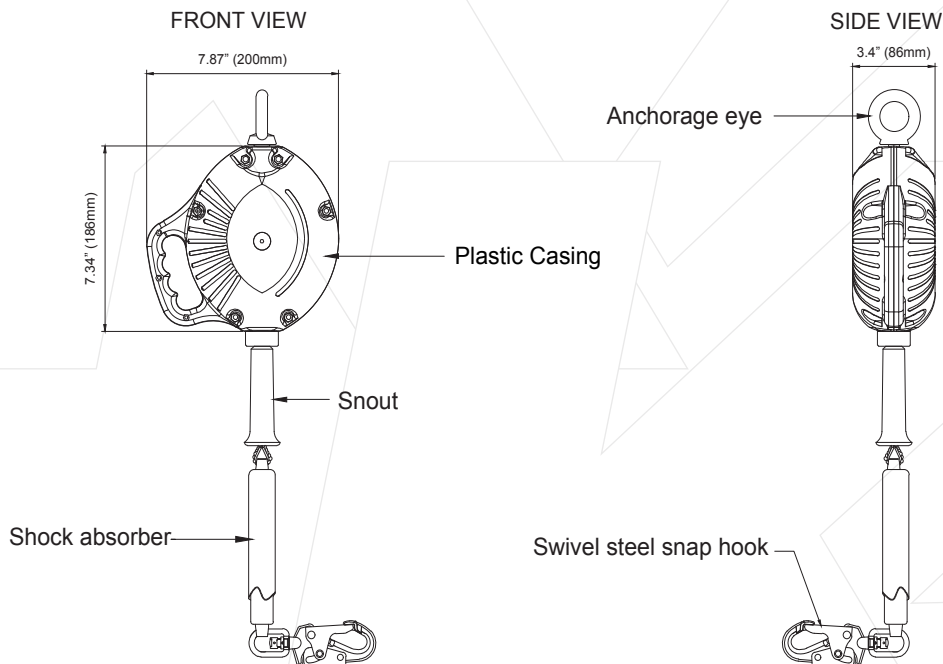
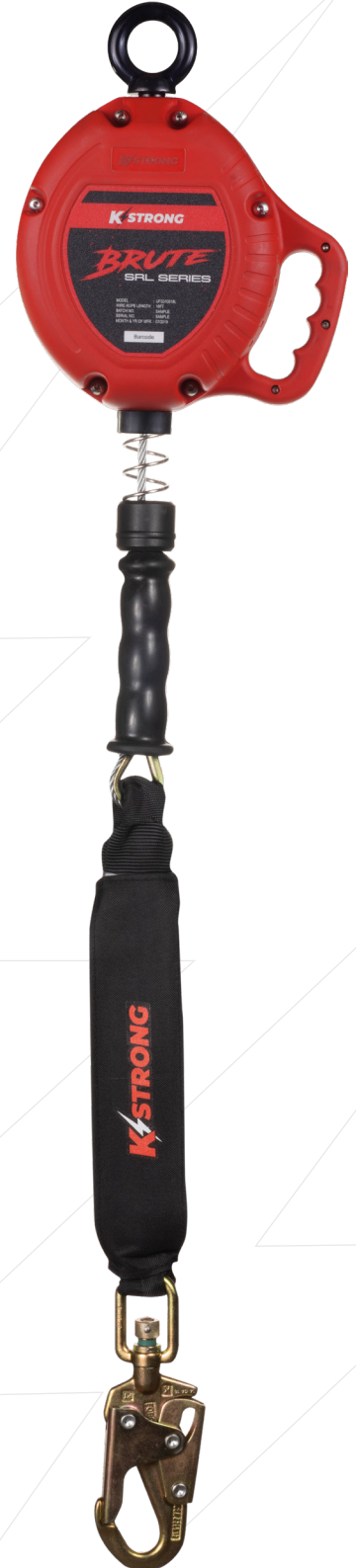
Material: Galvanized steel wire rope Ø7/32 Inches  
Minimum Breaking strength: 3400 Pounds (1542 kg).

### WEIGHT

9 lbs. ± 0.22 lbs. (4082 gm ± 100 gm)

### RELEVANT STANDARDS

Meets or Exceeds ANSI Z359.14-2014 SRL-LE (Class B)



Meets or Exceeds ANSI Z359.14-2014 SRL-LE (Class B)