

## KStrong® 6 ft. Adjustable Work Positioning Lanyard with snap hooks (ANSI)

Model: UFL205211

KStrong® 6 ft. Adjustable (from 4.5 ft. to 6 ft..) Work Positioning Lanyard with snap hooks (ANSI)

### DESIGN

- 1.57 in. (40mm) wide polyester tubular webbing incorporated with 1.18 in. (30mm) webbing
- Adjuster ring provides adjustment from 4 - 6 ft.
- Both ends of lanyard is equipped with Forged Snap Hook (PN 145)

### WEBBING

Material: Polyester  
Width: 1.57 in.  $\pm$  0.04 in. (40mm  $\pm$  1mm)  
Tensile Strength: 7000 lbs. (3175kg)

### STITCHING THREAD

Material: High-tenacity polyester

### METAL COMPONENT

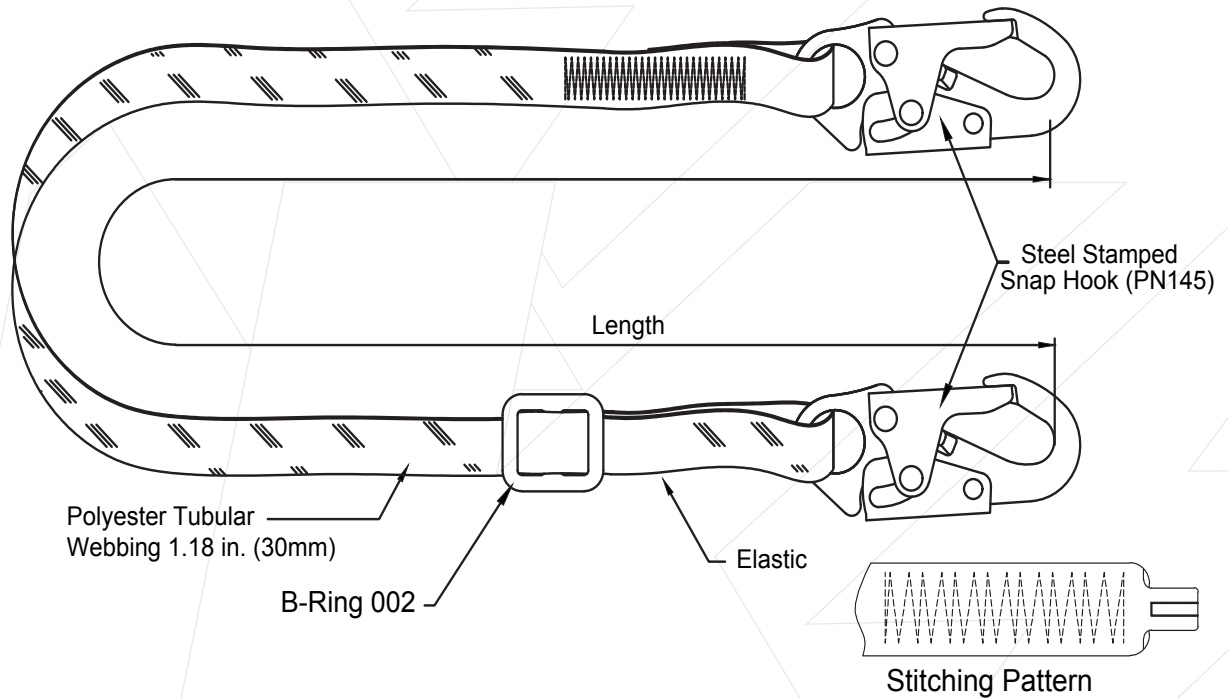
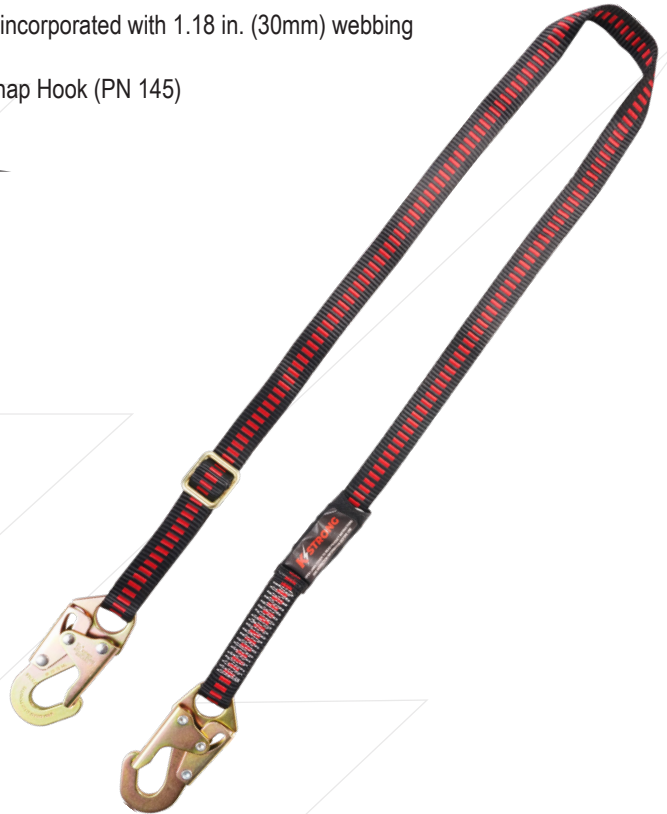
Material: Alloy steel  
Plating: Zinc plated  
Finish: Shot blasted  
Breaking Strength: 23 kN (5000 lbs.) (2268kg)

### WEIGHT

2.29 lbs.  $\pm$  0.02 lbs. (1040 gm.  $\pm$  10 gm)

### RELEVANT STANDARDS

Meets or Exceeds ANSI Z359.3-2017



Meets or Exceeds ANSI Z359.3-2017

Length: 6 ft.