

KStrong® 18" Manual Shock Absorbing Rope Grab Assembly (ANSI)

Model: UFG611020

KStrong® 18" Manual Shock Absorbing Rope Grab Assembly for 5/8" Diameter Approved Rope Vertical Lifelines. One (1) snap hook on end connecting to harness, other end having manual rope grab (ANSI)

DESIGN

- Connected with shock pack PN 500 and has snap hook(PN-146) as attachment.
- 1.73" (44mm) wide tear webbing for energy absorption.
- 1.73" (44mm) wide polyester webbing as backup strap and stitched around the free end of tear webbing to form loops for attachment. The entire assembly folded and packed in thick Polyethylene sleeve with synthetic labels.
- Rope Grab is used for rope access.

WEBBING

Material: Polyester.
Width : 1.73" \pm 0.04" (44 \pm 1 mm)
Breaking strength: 6000 lbs. (2722kg) -Min

STITCHING THREAD

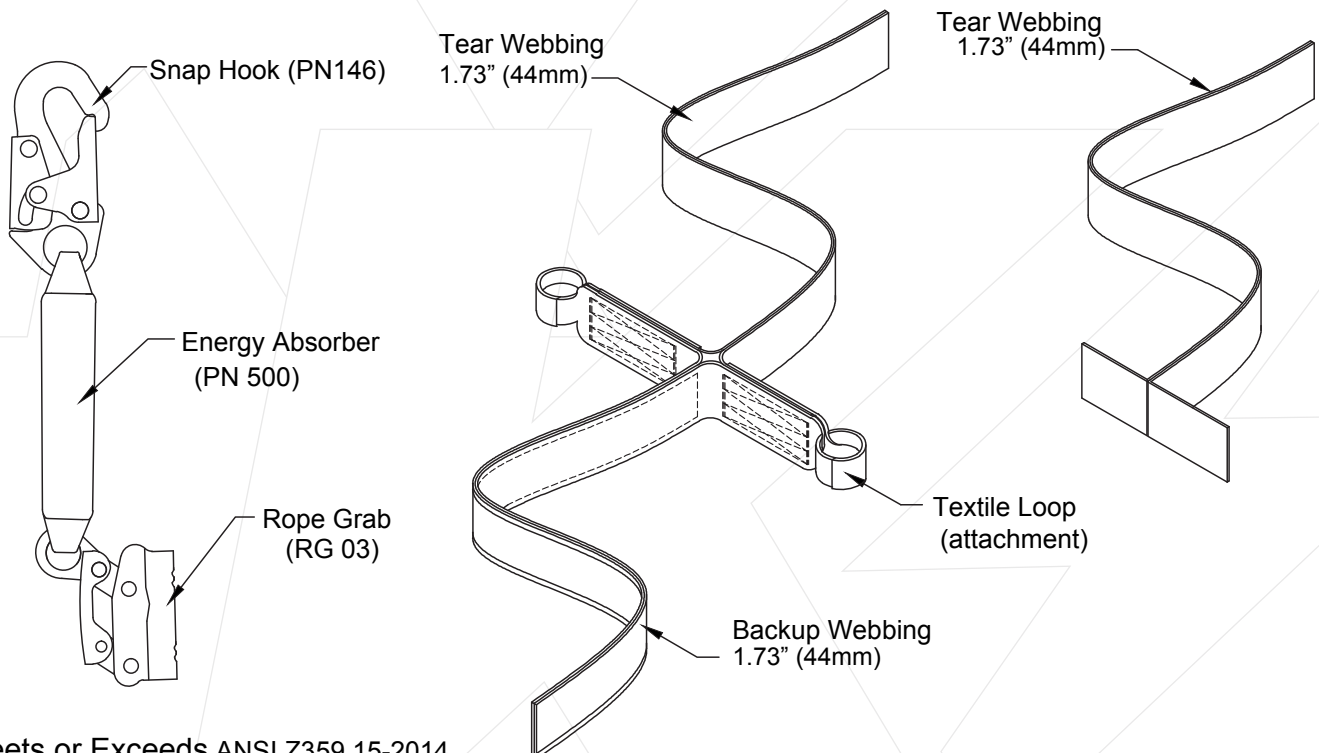
Made of high strength alloy steel

WEIGHT

2.60 lbs. \pm 0.02 lbs. (1179 gm. \pm 10 gm)

RELEVANT STANDARDS

Meets or Exceeds ANSI Z359.15-2014



Meets or Exceeds ANSI Z359.15-2014