

KStrong® Hinged reusable steel roof anchor (ANSI)

Model: UFA30001

KStrong® Hinged reusable galvanized steel roof anchor with D-Ring and powder coated (ANSI)

DESIGN

- An ideal anchorage device to be fixed on wooden beams used in roofing.
- Consists of two steel flaps each having 16 holes which can be fitted on the two sides of a wooden beam by means of nails inserted in the holes.
- The D-ring DR 002 can be safely used as an anchorage point.

CABLE

Material: High Strength Alloy Steel
 Breaking Strength: 5000 lbs.
 Finish : Power Coated or Zinc Plated

STATIC STRENGTH

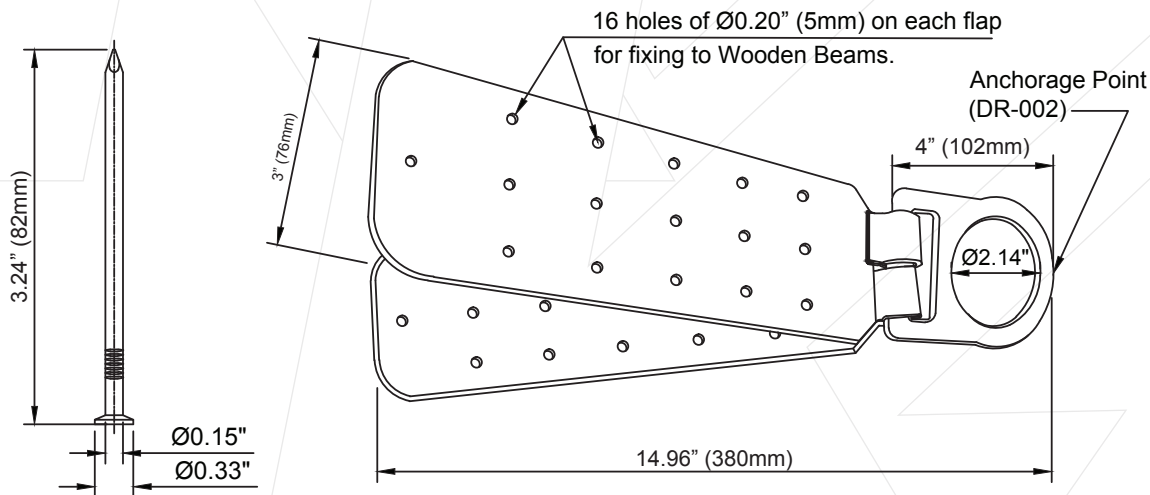
The anchorage connector shall be capable of resisting a static load of atleast 5000 lbs. for 1 minute.

WEIGHT

2.36 lbs. ± 0.22 lbs. (1070 gm ± 100 gm)

RELEVANT STANDARDS

Meets or Exceeds ANSI Z359.18-2017



NAIL (NA-001)

Meets or Exceeds ANSI Z359.18-2017