

KStrong® Kaptor™ Tool Cinch, Dual Wing, Medium Duty, 35 lbs. (ANSI)

Model: DL200201

KAPTOR™
TOOL LANYARDS

DESIGN

- Webbing tool attachment made in 0.98" (25mm) polyester webbing with D-ring at one end and webbing loop at other end
- Provided with a lightweight D-ring

MATERIAL

Webbing - 0.98" (25mm) Polyester.
D-ring - Alloy Steel

CAPACITY

80 lbs. (36.29kg)

LENGTH

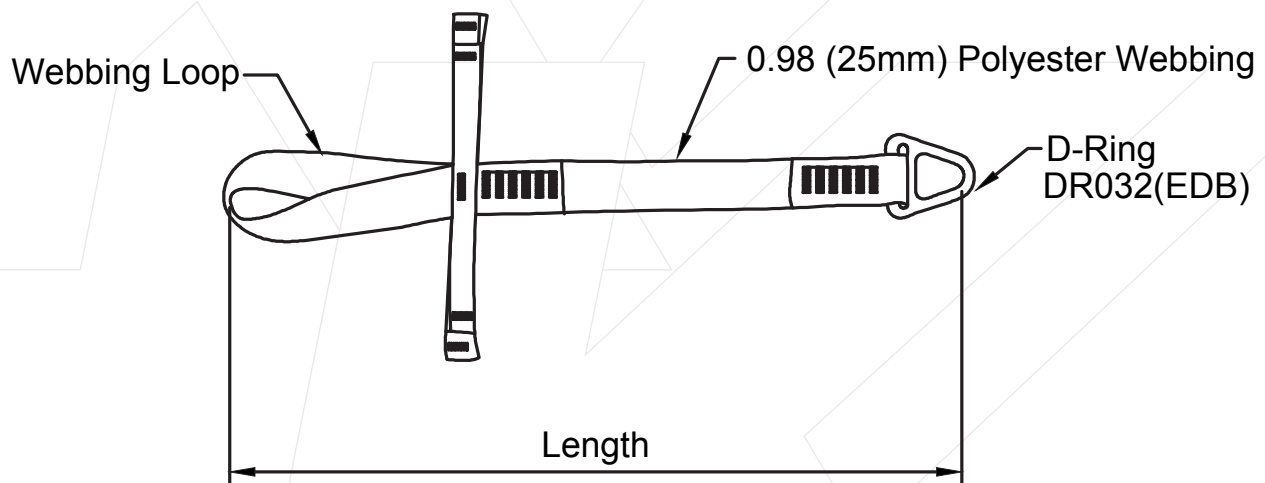
23.6" (60cm)

WEIGHT

0.19 lbs. ± 0.01 lbs. (90 gm ± 5 gm)

RELEVANT STANDARDS

Meets or Exceeds ANSI/ISEA 121-2018



Meets or Exceeds ANSI/ISEA 121-2018

Length- 23.6" (60cm)