

## KStrong® Kaptor™ Tool Cinch, Dual Wing, Medium Duty, 35 lbs. (ANSI)

Model: DL200101

**KAPTOR™**  
TOOL LANYARDS

### DESIGN

- Webbing tool attachment made in 0.98" (25mm) polyester webbing with D-ring at one end and webbing loop at other end
- Provided with a lightweight D-ring

### MATERIAL

Webbing - 0.98" (25mm) Polyester.  
D-ring - Alloy Steel

### CAPACITY

35 lbs. (15.87kg)

### LENGTH

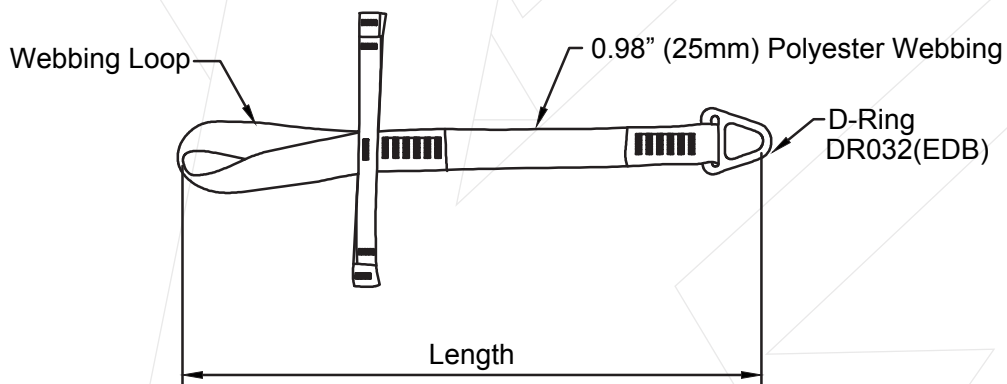
14.56" (37cm)

### WEIGHT

0.09 lbs. ± 0.004 lbs. (45 gm ± 2 gm)

### RELEVANT STANDARDS

Meets or Exceeds ANSI/ISEA 121-2018



Meets or Exceeds ANSI/ISEA 121-2018

Length- 14.56" (37cm)