

KStrong® Kaptor™ Webbing Tool Connector 2XL - 8.5 inches, 3 lbs. (ANSI)

Model: DL100355

KAPTOR™
TOOL LANYARDS

DESIGN

- 2XL tool attachment made in 0.59" (15mm) polyester webbing with swivel at one end and folded end at other end
- Provided with a lightweight swivel

MATERIAL

Webbing - 0.59" (15mm) Polyester.
Swivel - Alloy Steel

CAPACITY

3 lbs. (1360gm)

LENGTH

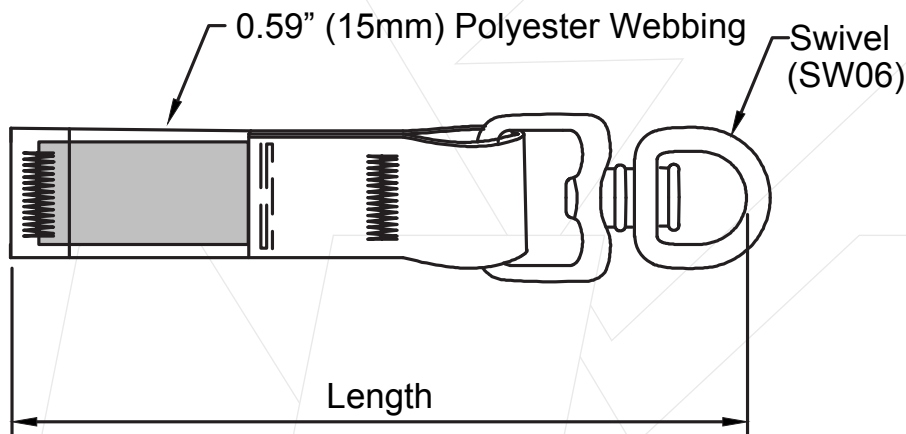
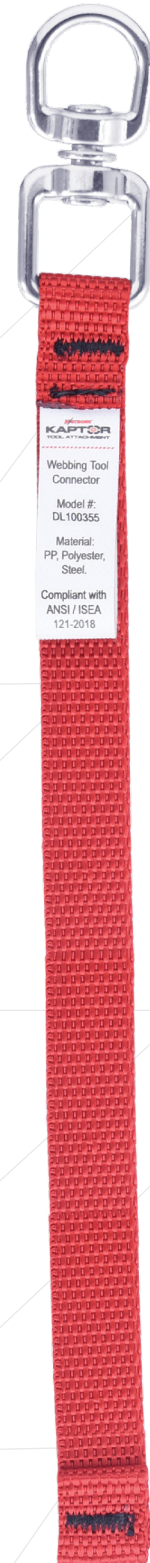
8.5" (216mm)

WEIGHT

0.04 lbs. ± 0.002 lbs. (20 gm ± 1 gm)

RELEVANT STANDARDS

Meets or Exceeds ANSI/ISEA 121-2018



Length- 8.5" (216mm)

Meets or Exceeds ANSI/ISEA 121-2018