

KSTRONG EXTREME CONFINED SPACE DAVIT SYSTEMS



CE 0598



II 2G
Ex h IIc T6 Gb
EN 80079-36:2016
EN 80079-37:2016

KStrong Extreme Davit systems have been designed for confined space entry / retrieval applications. Its modular interchangeable design allows the system to be mounted on multiple bases for all applications. It is ideal for providing portable, safe overhead anchorage in large confined areas like manholes, storage tanks etc.

H-BASE DAVIT ARM

FEATURES

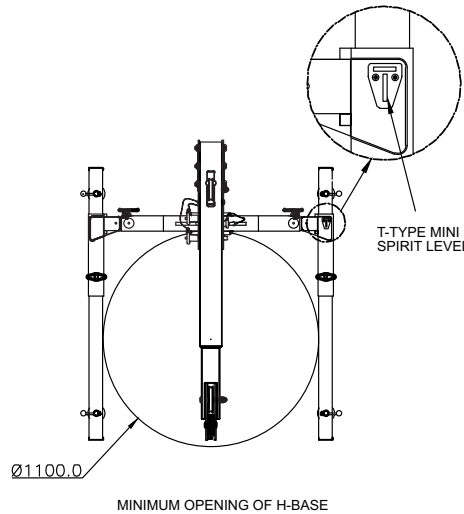
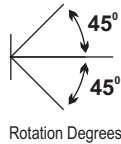
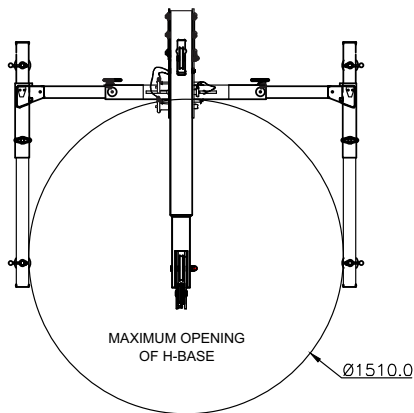
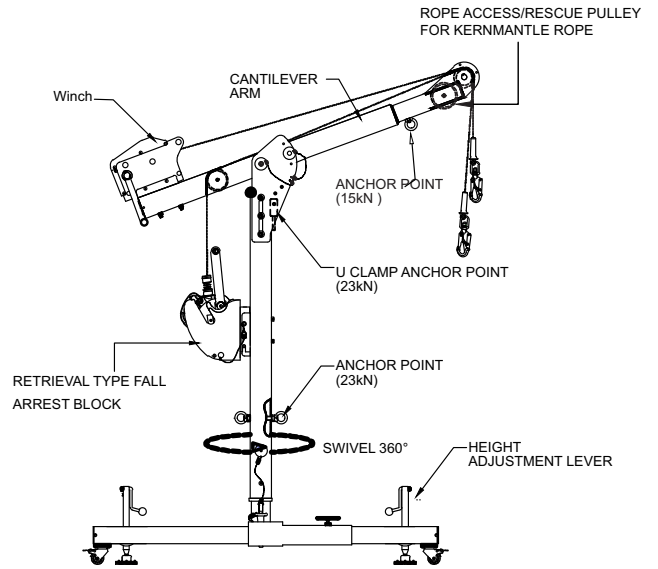
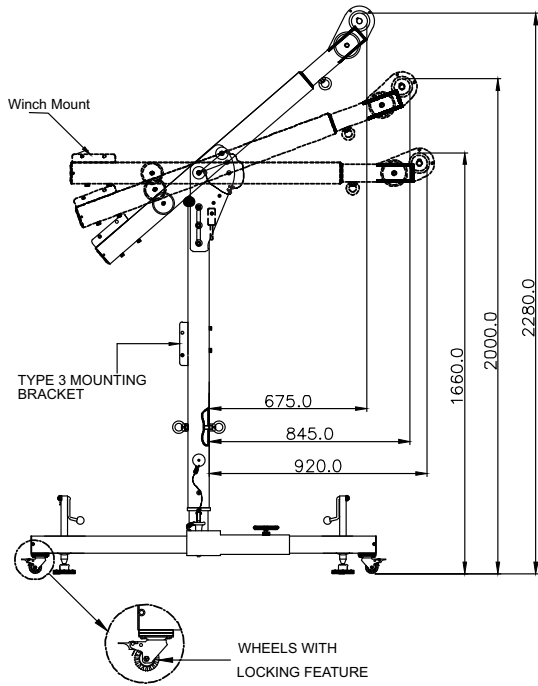
- The Extreme H-Base Davit breaks down into five components for easy storage, transport and set-up. No tools are required for assembly.
- The modular design allows the use of various fixed and portable bases and an optional mast with extensions.
- Cantilever arm comes with 3 adjustment positions for the user to adjust the height as per the requirement.
- An ideal choice to provide overhead anchorages in large holes of confined space.
- Removable legs for easy transportation and installation purpose.
- Anchorage points for rescue applications.
- Foldable legs for easy transportation and installation purpose.
- Multi anchorage point for rescue purpose.
- Inbuilt swivel feature, Davit column assembly can be rotated upto 360° by removing the locking pins provided to lock column.



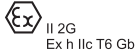
Height Adjustment And Reach

Product Code	Picture	Bracket used for Mounting
Winch Bracket AFT710007UW		Winch AFT730020, AFT730040
Retrieval Bracket AFT710007UR		Retrieval Blocks AFS510020R, AFS510030R

Product Code	Upper	Middle	Lower
Distance from column	0.675mtrs	0.845mtrs	0.920mtrs
height of arm	2.280mtrs	2.000mtrs	1.660mtrs



TECHNICAL SNAPSHOT

Material	High Strength and Durable Aluminium Alloy
Min. & Max. Opening of H Base	Ø1100 mm - Ø 1510 mm
Maximum Load Capacity	500 kgs
Finish	ED Coated
System Strength	15kN
Certification	EN795:2012 Type B, AS/NZS 5532:2013 & 
Weight	62.56kgs ± 0.10kgs



MODULAR DAVIT WITH FLOOR MOUNTING BASE

FEATURES

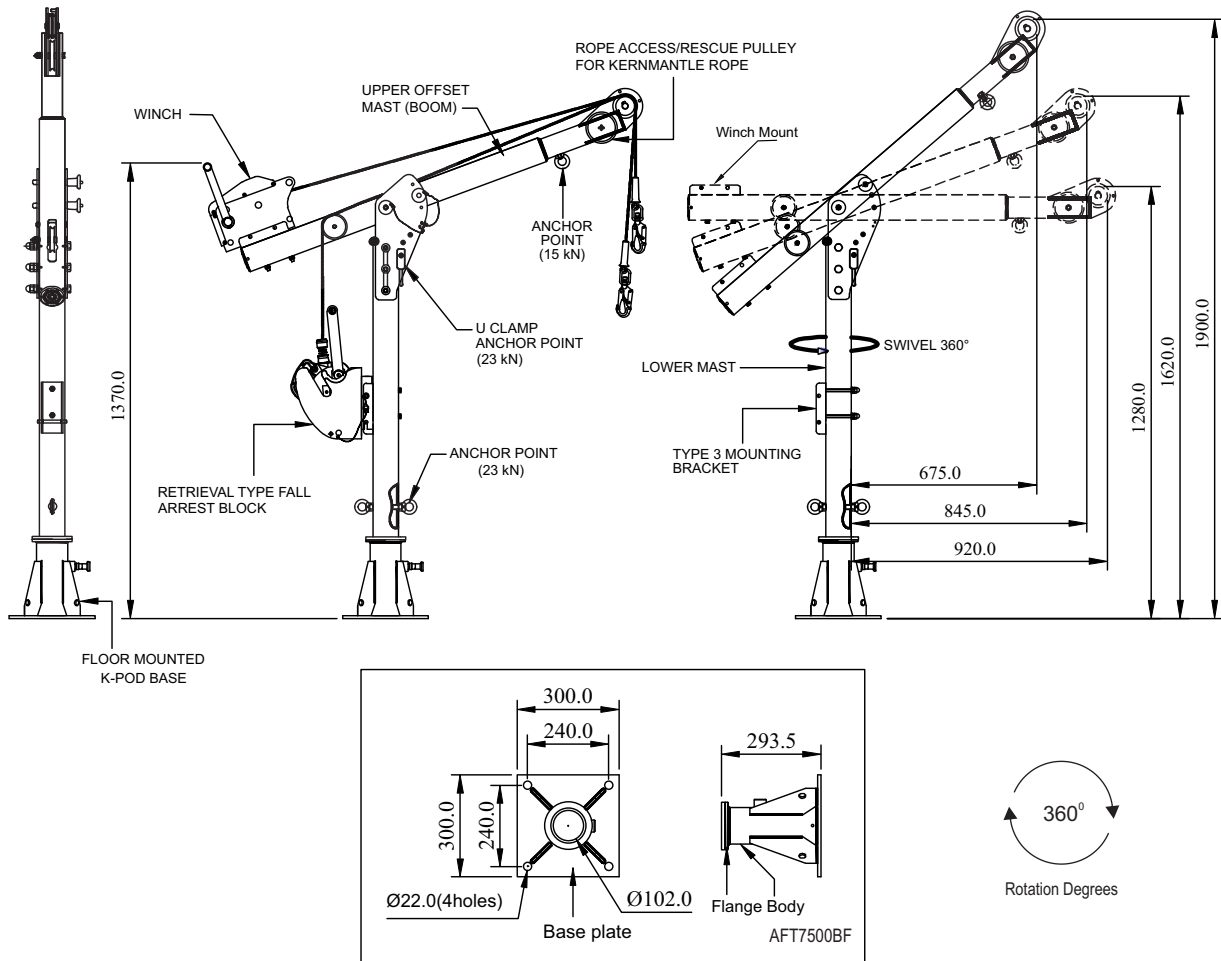
- The Extreme Floor Mounted Davit breaks down into Two components for easy storage, transport and set-up. No tools are required for assembly.
- Floor Mount Bases are designed to be mounted to concrete or steel structure.
- Base Installation must be approved to local regulations by a qualified engineer.




Height Adjustment And Reach

Product Code	Picture	Bracket used for Mounting
Winch Bracket AFT710007UW		Winch AFT730020, AFT730040
Retrieval Bracket AFT710007UR		Retrieval Blocks AFS510020R, AFS510030R

Product Code	Upper	Middle	Lower
Distance from column	0.675mtrs	0.845mtrs	0.920mtrs
Height of arm	1.900mtrs	1.620mtrs	1.280mtrs



TECHNICAL SNAPSHOT

Material	High Strength and Durable Aluminium Alloy
Maximum Load Capacity	500 kgs
Finish	ED Coated
System Strength	15kN
Certification	EN 795:2012 Type A , AS/NZS 5532:2013 &  II 2G Ex h IIc T6 Gb
Weight	44.49 kgs ± 0.10kgs Floor mount Base: 9.38kgs ± 0.10kgs


MODULAR DAVIT WITH WALL MOUNTING BASE

FEATURES

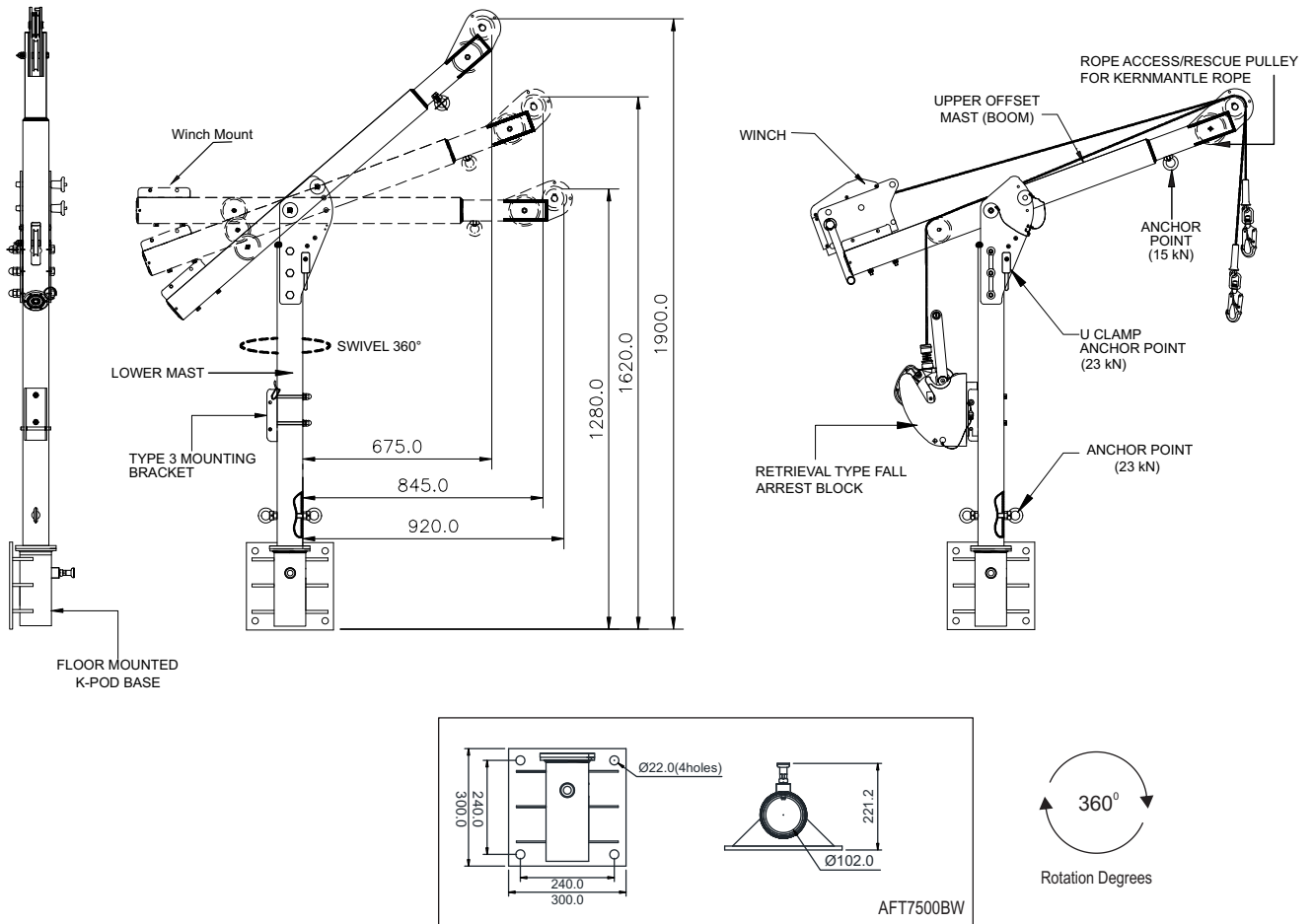
- The Extreme Wall Mounted Davit breaks down into two components for easy storage, transport and setup. No tools are required for assembly.
- Wall Mount Bases are designed to be mounted to concrete or steel structure.
- Base Installation must be approved to local regulations by a qualified engineer.




Height Adjustment And Reach

Product Code	Picture	Bracket used for Mounting
Winch Bracket AFT710007UW		Winch AFT730020, AFT730040
Retrieval Bracket AFT710007UR		Retrieval Blocks AFS510020R, AFS510030R

Product Code	Upper	Middle	Lower
Distance from column	0.675mtrs	0.845mtrs	0.920mtrs
Height of arm	1.900mtrs	1.620mtrs	1.280mtrs



TECHNICAL SNAPSHOT

Material	High Strength and Durable Aluminium Alloy
Maximum Load Capacity	500 kgs
Finish	ED Coated
System Strength	15kN
Certification	EN 795:2012 Type A , AS/NZS 5532:2013 &  II 2G Ex h IIc T6 Gb
Weight	44.49kgs ± 0.10kgs Floor mount Base: 9.38kg ± 0.10kgs



MODULAR DAVIT WITH CORE MOUNTING SLEEVE ASSEMBLY

FEATURES

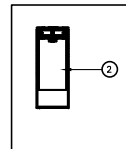
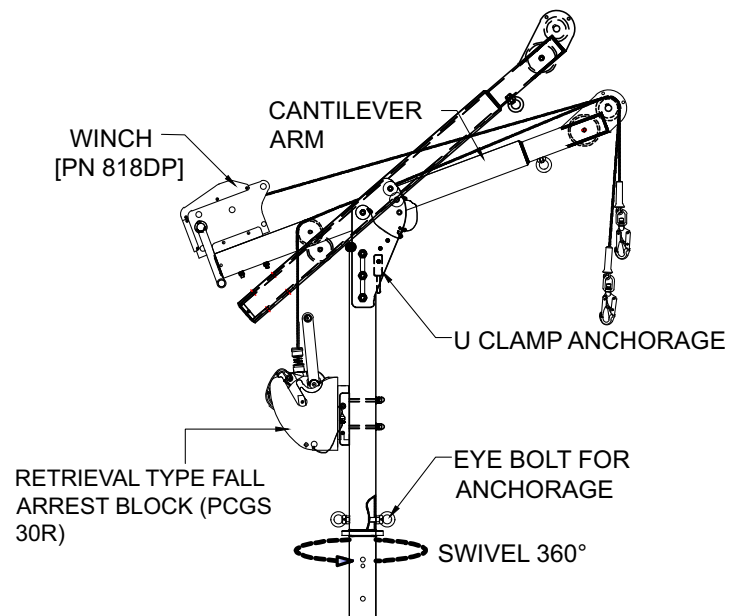
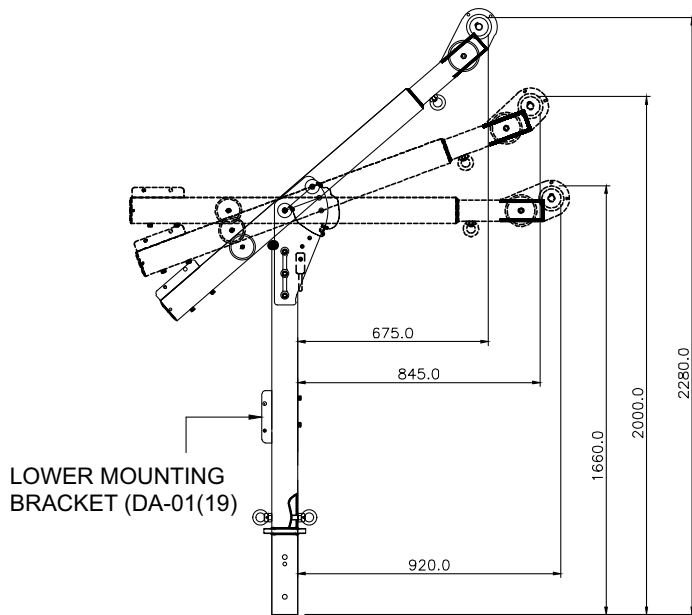
- The Extreme Core Mounting Davit breaks down into two components for easy storage, transport and setup. No tools are required for assembly.
- Core mounting sleeve assembly is a permanent solution for the structure.
- Core mounting sleeve assembly for installation on a concrete base.
- Base Installation must be approved to local regulations by a qualified engineer.



Height Adjustment And Reach

Product Code	Picture	Bracket used for Mounting
Winch Bracket AFT710007UW		Winch AFT730020, AFT730040
Retrieval Bracket AFT710007UR		Retrieval Blocks AFS510020R, AFS510030R

Product Code	Upper	Middle	Lower
Distance from column	0.675mtrs	0.845mtrs	0.920mtrs
Height of arm	1.900mtrs	1.620mtrs	1.280mtrs



TECHNICAL SNAPSHOT

Material	High Strength and Durable Aluminium Alloy
Maximum Load Capacity	500 kgs
Finish	Powder Coated
System Strength	15kN
Certification	EN 795:2012 Type B, AS/NZS 5532:2013
Weight	44.44kgs ± 0.10kgs

HITCH MOUNTING DAVIT



Parts of Hitch Mounting Davit




Lower Mast
AFT751050



Tow-Hitch
AFT751058

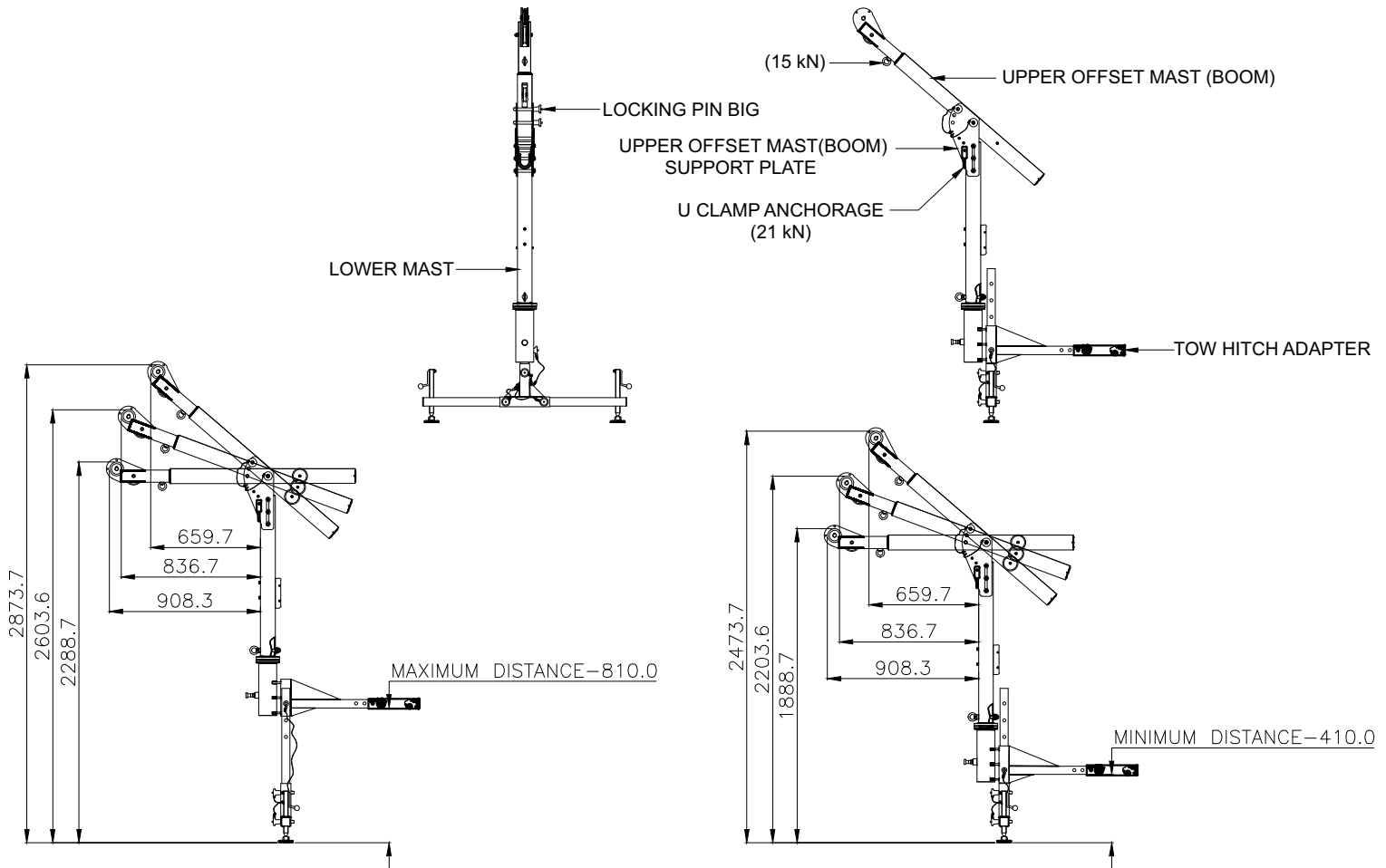
Arm adjustment

AFT751085	Upper	Middle	Lower
Distance from Column	0.675mtrs	0.845mtrs	0.920mtrs
Height of arm	2.480mtrs	2.200mtrs	1.890mtrs

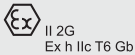
Product Code	Picture	Bracket used for Mounting
Retrieval Bracket AFT710007UR		Universal Mounting Bracket for mounting Retrieval Blocks *to be purchase separately

FEATURES

- The Hitch Mounting Davit (AFT751085) is a portable fall arrest system that offers a safe and secure solution for accessing confined spaces where overhead support structures are not available.
- The Davit can be easily and quickly attached to a vehicle with a tow hitch. This allows for convenient transportation and deployment of the system.
- The system comes with a upper mast offset (boom) that offers three adjustment positions. Users can adjust the height of the arm according to their requirements, providing flexibility in different confined space situations.
- The Davit includes a foldable leg, which aids in transportation and installation. The leg can be folded when not in use, making it easier to store and carry the system.
- The Hitch Mounting Davit is compatible with specific KStrong winches, such as AFT730020, AFT730040, AFTZ30042, AFT730120 and AFT730135. It is also compatible with retrieval blocks AFS510020R and AFS510030R . Each of these devices has its respective mounting bracket AFT710007UR for secure attachment to the Davit.
- The trailer hitch mount of the Davit is designed to fit into a 2" (51.0mm) hitch receiver. This allows the system to be attached to any vehicle with a compatible hitch receiver, providing a portable anchor point for confined space entry, retrieval, rescue, and fall arrest operations.
- Certified to EN 795:2012 Type B and AS/NZS 5532:2013



TECHNICAL SNAPSHOT

Material	High Strength and Durable Aluminium Alloy
Maximum Load Capacity	500 kgs
Finish	Powder Coated
System Strength	15kN
Certification	EN 795:2012 Type B , AS/NZS 5532:2013 & 
Weight	56.54kgs

AFT751090

DEAD WEIGHT DAVIT



Parts of Dead Weight Davit




Trolley
AFT751095



Dead Weight(26 Nos.)
AFT751025
650.0 kgs ± 0.20 kgs

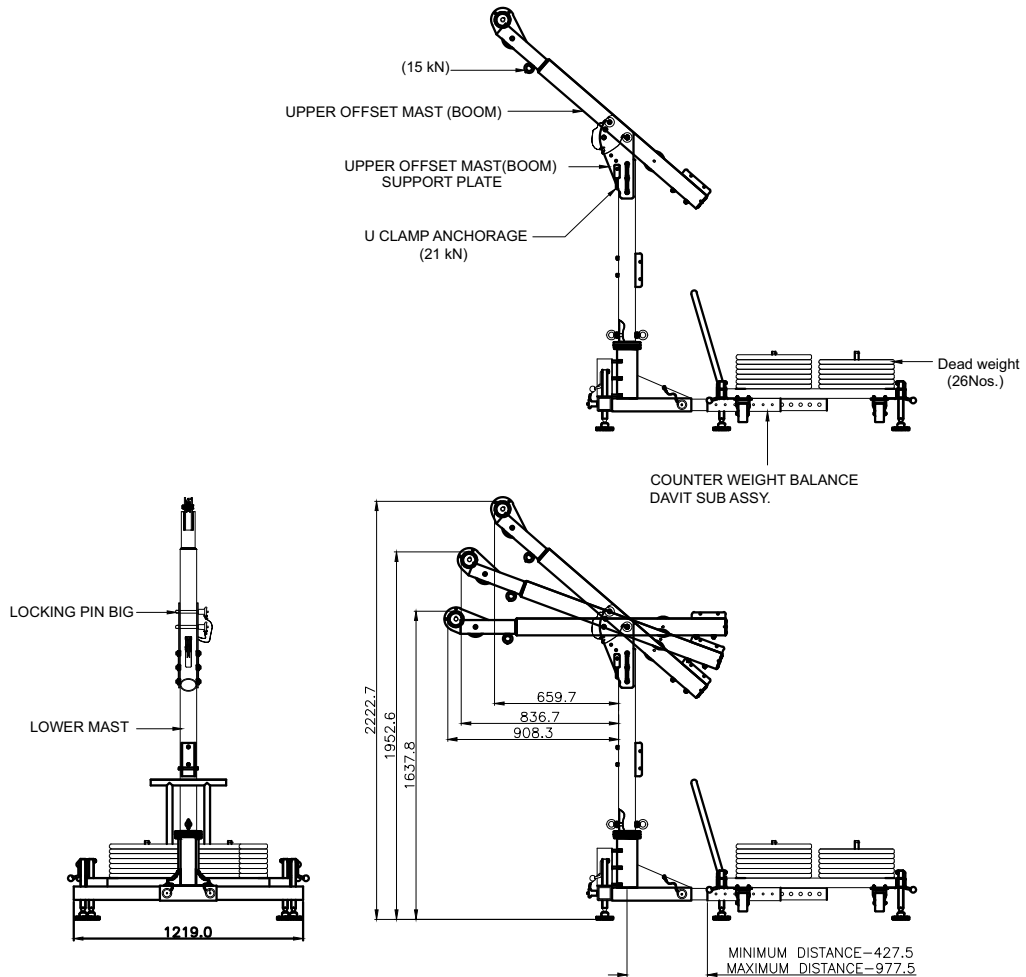
Arm adjustment

AFT751090	Upper	Middle	Lower
Distance from Column	0.675mtrs	0.845mtrs	0.920mtrs
Height of arm	2.220mtrs	1.950mtrs	1.630mtrs

Product Code	Picture	Bracket used for Mounting
Retrieval Bracket AFT710007UR		Universal Mounting Bracket for mounting Retrieval Blocks *to be purchase separately

FEATURES

- The Dead Weight Davit is a portable fall arrest system designed to provide a safe and secure means of accessing confined spaces where traditional overhead support structures and base grouting are not feasible.
- The system consists of a dead weight trolley with 650kgs dead weight plates (excluding trolley weight), providing stability during operation. This ensures that the system remains secure and steady during use.
- The Dead Weight Davit is designed to be compatible with specific KStrong Winches, including AFT730020, AFT730040, AFTZ30042, AFT730120 and AFT730135. It also works with Retrieval Blocks AFS510020R and AFS510030R. Each of these components can be mounted using their respective mounting bracket AFT710007UR.
- The system is equipped with wheels on the trolley, making it easy to move from one location to another. This allows for flexibility and convenience when working in different areas.
- The upper mast offset (boom) of the Dead Weight Davit comes with three adjustable positions, enabling the user to set the height according to the specific requirements of the task or confined space being accessed.
- The trolley is equipped with a height adjuster, which ensures proper stability of the anchor post during operation. This feature enhances safety and security while working at heights.
- Certified to EN 795:2012 Type B.



TECHNICAL SNAPSHOT

Material	High Strength and Durable Aluminium Alloy
Maximum Load Capacity	500 kgs
Finish	Powder Coated
System Strength	21kN
Certification	EN 795:2012 Type B
Weight	750kgs ± 0.20kgs including 650kgs dead weight

ACCESSORIES OF EXTREME DAVIT



AFS510020R



AFT730120



AFT730042



Wall Mounting Bracket
(AFT7500BW)



Floor Mounting Bracket
(AFT7500BF)