

SINGLE PULLEY WITH BALL BEARING & SS SHEAVE WITH SINGLE SIDE ATTACHMENT

AFX206005

Features

- Single aluminum pulley, light weight, movable side plates which allows quick installation.
- Pulley is large enough to accommodate rope up to 12 mm diameter
- Attachment Point can accommodate a connector up to 16 mm diameter

How To Use

Refer to User Instruction Manual



Metal Components

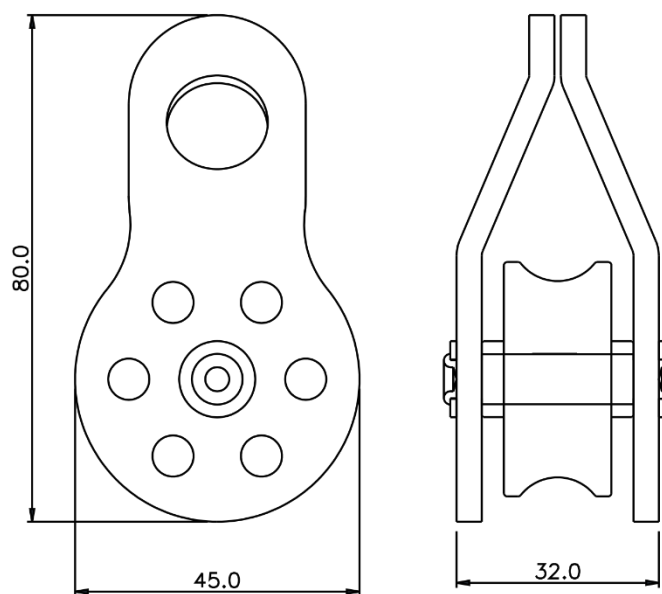
Material	:	Aluminum Alloy (Body) Stainless Steel (Sheave)
Finish	:	Natural Silver/Colored Anodized (Body) Polished (Sheave)

Weight

155 gm \pm 20 gm

Relevant Standards

EN 12278:2007



UIAA

CE 0598

EN 80079-36:2016
EN 80079-37:2016



II 2G E_x h II_c T6 G_b