

SINGLE PULLEY WITH SINGLE SIDE ATTACHMENT

AFX206001

Features

- Single aluminum pulley, light weight, movable side plates which allows quick installation.
- Pulley is large enough to accommodate rope up to 16 mm diameter
- Attachment Points can accommodate a connector up to 16 mm diameter

How To Use

Refer to User Instruction Manual



Metal Components

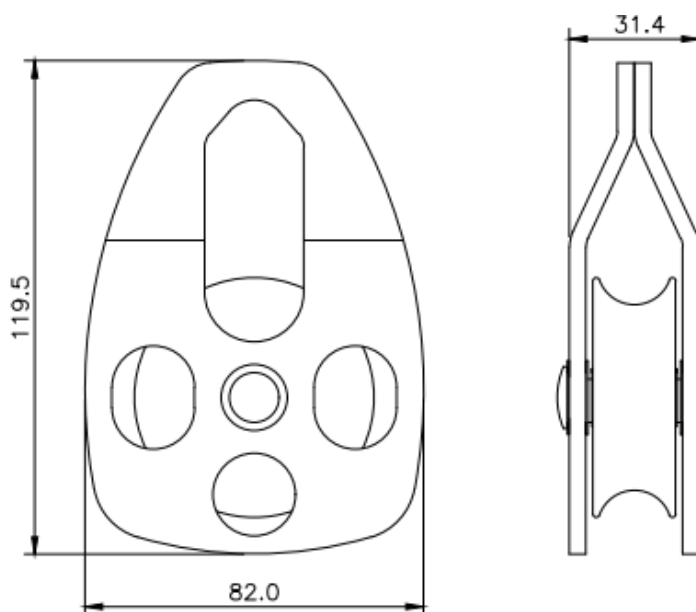
Material	:	Aluminum Alloy (Body) Stainless Steel (Sheaves)
Finish	:	Anodized (Body) Polished (Sheaves)
Minimum Breaking Strength	:	40 kN

Weight

430 gm ± 20 gm

Relevant Standards

EN 12278:2007



CE 0598

EN 80079-36:2016
EN 80079-37:2016



II 2G E_x h II_c T6 G_b