

IRSQ RIGGING PLATE 4 HOLES


AFX203054

KStrong Rigging plate is designed to make multiple attachment points from a single anchor.

Features

- Rigging plate designed to help organize and provide multiple anchor points at work station.
- 19mm wide holes allow the locking sleeves of most Karabiners.
- Creating multi-anchor systems points in various directions.
- Ideal for large complex anchor systems.

How To Use

Refer to User Instruction Manual 

Metal Components

Material	:	High Strength Aluminum Alloy
Finish	:	Colored Anodized.
Minimum Strength Breaking	:	45kN

Weight

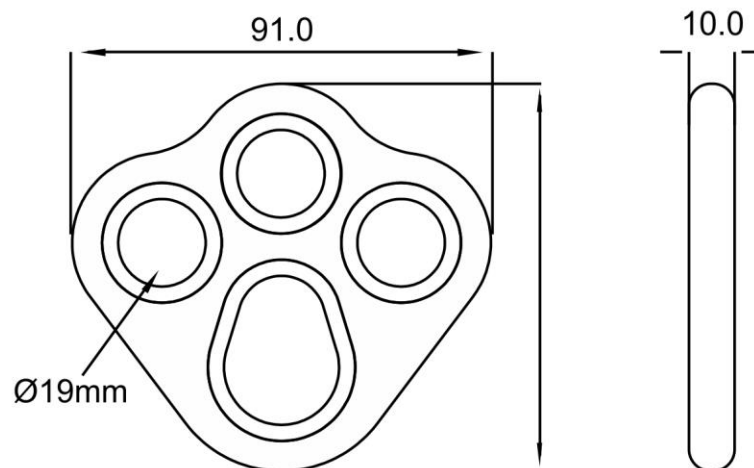
53.5gm ± 10gm

System Strength

45kN

Relevant Standards

Conforms to VG 11 Sheet 114, CNB/P11.114



CE 0598