

# BRUTE™ SERIES

## AFSR51010 10M BRUTE CONTROLLED RETRACTABLE FALL ARREST BLOCK

KStrong Controlled Retractable Fall Arrest Blocks has been designed to ensure the cable retracts slowly back into the housing without damaging the SRL when released. Suitable for sites where numerous operators successively use the same product, for instance when loading/unloading, etc.



EN 360:2002

Included with



### Features and Benefits

- ◆ Comes with an inbuilt controlled retraction mechanism to reduce the damping effect.
- ◆ Robust & durable polymer casing with handle
- ◆ ANSI Snap Hook with Load Indicator and ANSI top Karabiner & Tagline
- ◆ Can be supplied with stainless steel wire

### Materials

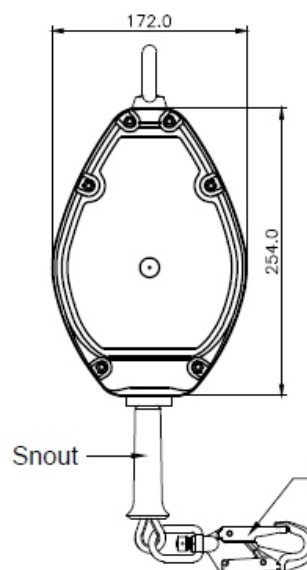
- ◆ Polymer Casing
- ◆ ANSI Swivel Steel Snap Hook - MBS 23kN
- ◆ 4.5mm Galvanised Wire - MBS 15kN
- ◆ ANSI Steel Karabiner - MBS 23kN
- ◆ Weight: 4.941 kgs ± 0.10 kgs.

### How To Use

- ◆ Refer to User Instruction Manual



FRONT VIEW



SIDE VIEW

