

ALUMINUM OPENABLE TYPE ROPE GRAB FOR 11MM KERNMANTLE ROPE

AFG801011

Features

- Moving Rope Grab (AFC801011) on flexible anchorage line
- Moves along with the user climbing up or down and locks him in the case of a fall.
- Automatic Locking System.
- Suitable to with 10.5mm, 11mm and 12mm Kernmantle ropes.

How To Use

Refer to User Instruction Manual



Metal Components

Material	: Aluminum Alloy
Finish	: CED Coating Black
Minimum Breaking Strength	: 15 kN

Weight

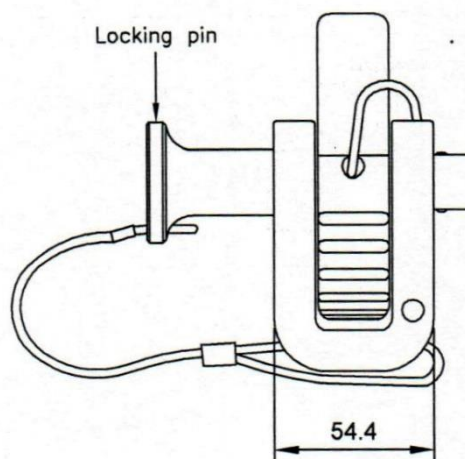
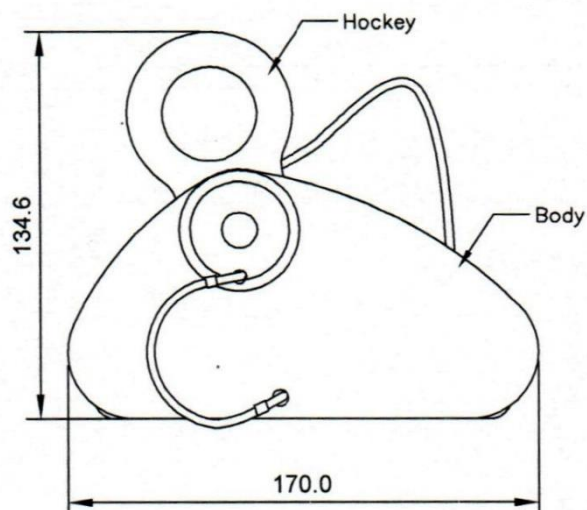
181 gm ± 10 gm

System Strength

15kN MBS

Relevant Standards

EN 353-2:2002, EN 358:2018 & EN 354:2010

**CE 0598**