

VERTICAL TROLLEY FOR ALUMINUM RAIL SYSTEMS AFF8000 & AFF9000

AFF53900

Features

- Stainless steel trolley with brass wheel is designed to be used with Vertical Aluminium rail systems AFF8000 & AFF9000.
- Comes with Safety stopper to prevent wrong installation.
- Vertical trolley has inbuilt shock absorber which deploys at time of fall to minimize the impact forces.

How To Use

Refer to User Instruction Manual



Metal Components

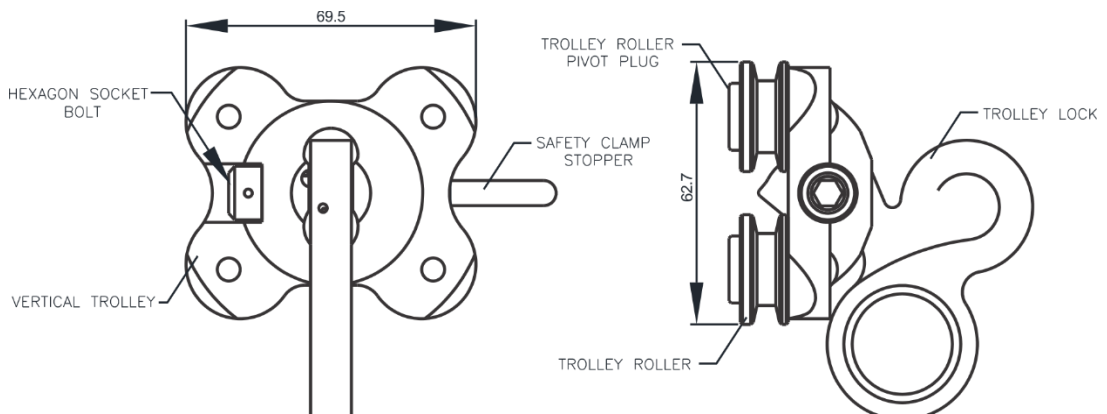
Trolley	:	316 Stainless Steel: Polished
Wheel	:	Brass
MBS	:	15kN

Weight

0.583 kg ± 0.10 kg

Relevant Standards

Conforms to EN 353-1:2012



CE 0598