

EXTENDABLE MOUNTING BRACKET FOR AFF9000 SYSTEM ED COATED

AFF533801

Features

- Extendable Bracket for AFF9000 Vertical Aluminum Rail Systems allowing to be attached on various structures.
- Telescopic adjustment to provide adequate clearance for the Rail from the structure/wall.
- The bracket can be adjusted between 260mm - 350mm

How To Use

Refer to User Instruction Manual



Metal Components

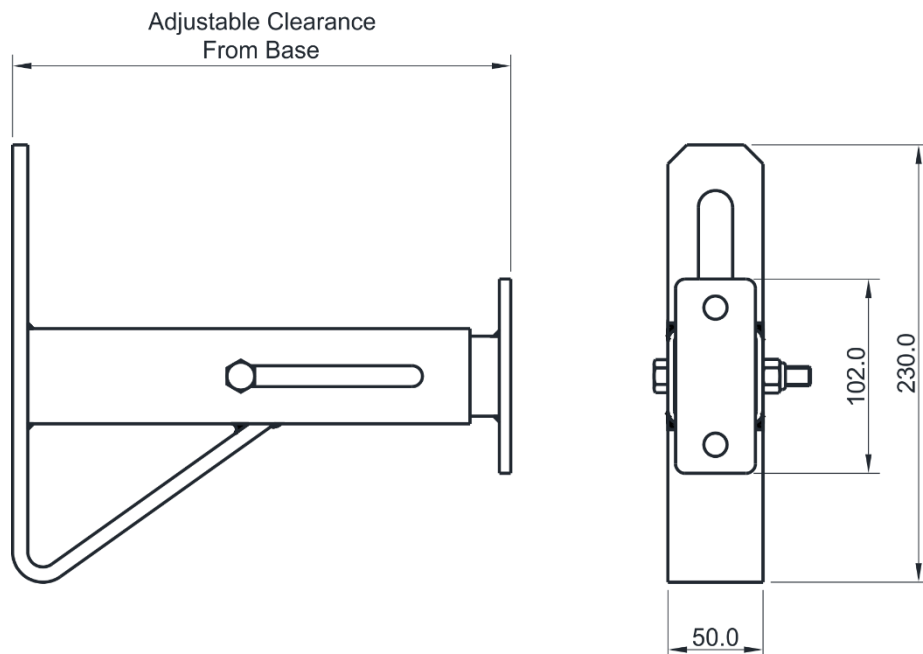
Brackets	:	High Tensile Steel: ED Coated Black
MBS	:	23kN

Weight

4.08 kgs

Relevant Standards

Part of AFF8000 System which Conforms to EN353-1:2014 + A1:2017
ATEX directive 2014/34/UE



CE 0598