

STAINLESS STEEL WHEEL TYPE CARRIAGE BODY TO SUIT 8MM WIRE AFF4000

AFF119100

Features

- Openable stainless steel wheel type Carriage body connects to the lifeline and attaches directly to a Lanyard or Retractable Block.
- Moves smoothly without interruption along the entire length of the horizontal line as well as passing through the intermediates and corners.
- Spring loaded safety pin prevents the slippage of the wire rope outside the Carriage Body.
- Suitable with wire rope up to 8mm.

How To Use

Refer to User Instruction Manual 

Metal Components

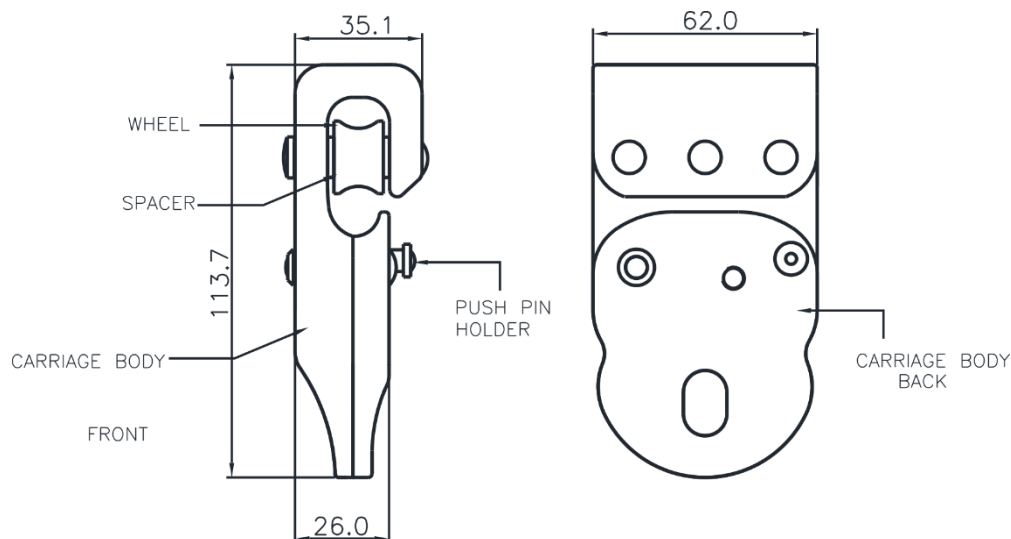
Carriage Body	:	316 Stainless Steel: Polished
Minimum Breaking Strength	:	25 kN

Weight

1.010 kgs ± 0.010 kgs

Relevant Standards

Conforms to EN795:2012 Type C



CE 0598