

CABLE EXTREMITY MOLDED STOPPER

AFF114191

Features

- Cable Extremity Molded Stopper has been designed to prevent the traveler from traversing over the wire terminations.
- Can be used on all horizontal 8mm wire Lifelines.
- Supplied in pairs

How To Use

Refer to User Instruction Manual



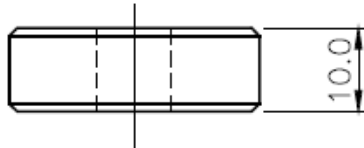
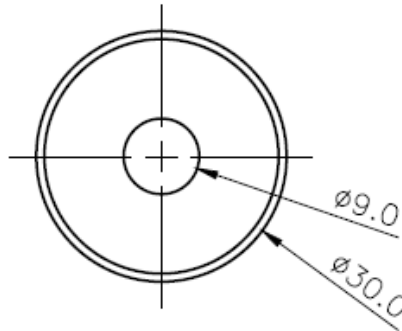
SCAN TO DOWNLOAD

Metal Components

Molded Stopper : Nylon

Weight

0.760 gm



CE 0598