

PIPE MOUNTING BRACKET SUIT 50MM - 65MM DIA

AFF113735(M)

Features

- Mounting Brackets are provided to install the anchorage line on Horizontal Pipe (Hand Rails) and Vertical Ladder Rungs.
- Suitable to attach the AFF113710 Extremity Anchor and Intermediate Bracket.
- The brackets can be used for anchorage point on a rung of a Ladder.
- Simple bolt to the pipe by using two bolts connecting the two Plates
- Compatible Rung Diameter: Ø50.0mm to Ø65.0mm.
- Not to be used as a single end anchorage for wire cable systems.

How To Use

Refer to User Instruction Manual



SCAN TO DOWNLOAD

Metal Components

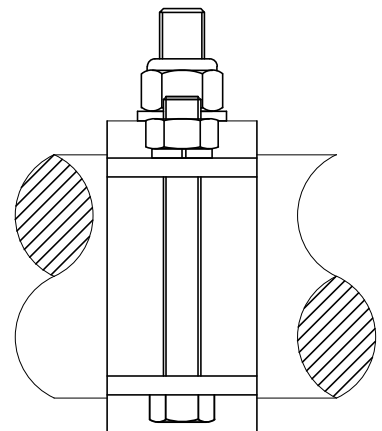
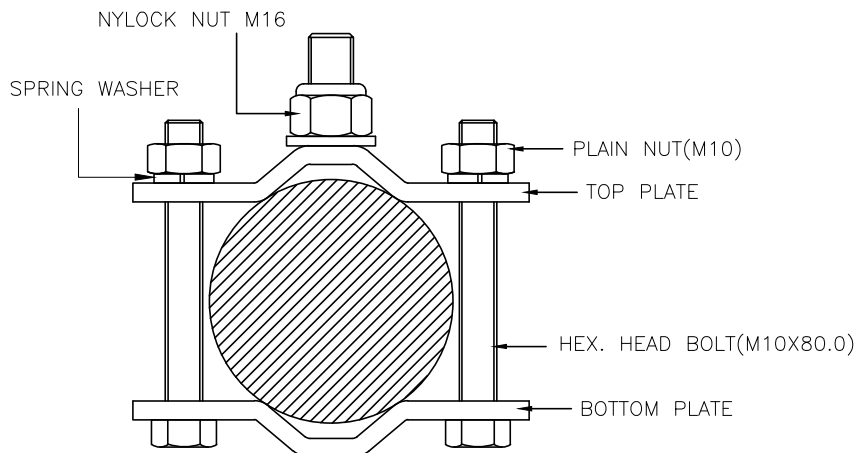
Brackets	:	316 Stainless Steel: Polished 316
Bolts	:	Stainless Steel A4/70
Washers & Nut	:	Stainless Steel A4
Minimum Breaking Strength: Z Axis	:	36 kN

Weight

514.0 gms ± 10.0 gms

Relevant Standards

AFF4000 System Specifications - Conforms to EN795:2002 Type C & TS16415:2013



CE 0598