



USER INSTRUCTION MANUAL
FXLINE ANCHOR POST

THESE INSTRUCTIONS APPLY TO THE FOLLOWING MODEL:

AFA935831 (SS)

EN 795:2012 TYPE A

Please read and understand the manufacturer's instructions for each component or part of the complete system. Manufacturer's instructions must be followed for proper use, care, and maintenance of this product. These instructions must be retained and be kept available for the user's reference at all times. Alterations or misuse of this product, or failure to follow instructions, may result in serious injury or death.

Note: The user is advised to keep this user instructions document for the life of the product.

1. **INTRODUCTION:** This Anchor is classed as Personnel Protective Equipment (PPE) by the European PPE Regulation (EU)2016/425 and has been shown to comply with this Regulation through the Harmonized European Standard EN 795:2012 Type A.
2. **PERFORMANCE AND LIMITATIONS OF USE:** The Anchor has been tested in accordance with EN 795:2012 Type A and has achieved the following performance levels:

EN 795:2012 Type A test	Result/Comment
General Requirements for Anchor devices (Clause 4.1)	PASS) No sharp edges (PASS).
Static Strength (Clause 4.4.2.3)	Sustained a force of 12 kN for 3 minutes (PASS).
Dynamic Strength & Integrity Test (Clause 4.4.1.2)	When tested with rigid steel mass of 100 kg, the test mass held after test with the device remaining stable throughout. (PASS). Anchor Holds an increased load of 300kg for 3 min following dynamic test.
Corrosion Resistance (Clause 4.2.2.1)	No corrosion evident after 48 hours of salt spray testing. (PASS)

3. **APPLICATION:** Quick and Easy to install, this steel anchor is designed to be installed on metal I Beam.
4. **INSPECTION:**
 - Visually inspect the system before each use to ensure that it is in a serviceable condition and is operating correctly. If during inspection, doubts are raised about the safety of the system or a component, these should be replaced either by the manufacturer or a competent person.
 - A formal inspection of fall protection products/components must be performed preferably every six months or at least annually by a competent person other than the user. The frequency of formal inspections should be based on conditions of use or exposure. Record the inspection results in the inspection and maintenance log at the end of this manual. The component should be checked for cut, frayed, heavily soiled, welding burns etc. Metal parts like D-rings should be duly check for the crack, bent, deformities, corrosion etc.
5. **PRECAUTIONS:**
 - Ensure the Medical condition of the user does not affect his safety in normal and emergency use.
 - The equipment shall only be used by a person trained and competent in its safe use.
 - Arescue plan shall be in place to deal with any emergencies that could arise during the work.
 - Ensure that the anchor is installed directly above the user's head.
 - Ensure that the equipment is compatible with other items when assembled into a system.
 - It is essential to verify free space required beneath the user at work place before each occasion of use so that in case of a fall there will be no collision with ground or other obstacle in the fall path.
6. **PRE-USE CHECK:**
 - It is important to check before use, any dangers that may arise by the use of combinations of items of the equipment in which the safe function of any one item is affected by or interferes with the safe function of another.
 - Carry out a pre-use check of the system, to ensure that it is in a serviceable condition and operates correctly before it is used.
 - Ensure the compatibility of items of equipment when assembled into a system.

7. INSTRUCTIONS FOR USE:

AFA935831(SS)

- Install the Anchor on the metal I beam with help of provided fasteners.
- Connect the Universal Extremity Plate or intermediate for making connections.
- Now the Anchor is ready to Use.

8. ANCHORAGE STRENGTH : Ensure that the structure on to which the anchor is fitted is strong enough to with stand a load of 20 kN. If unsure, please refer to an engineer.

9. COMPATIBILITY: To optimise protection, in some instance it may be necessary to use the steel anchor with suitable ppe such as boots/gloves/helmet/ear defenders. In this case, before carrying out the risk-related activity, consult your supplier to ensure that all your protective products are compatible and suitable for your application.

10. LIMITATIONS :

- It should be the personal property of it's user.
- It should not be used in highly acid or basic environment.
- It is essential for the safety of user that if the product is resold outside the original country of destination, the reseller shall provide instruction for use, maintenance, for periodic examination and for repair in the language of the country in which product is to be used.

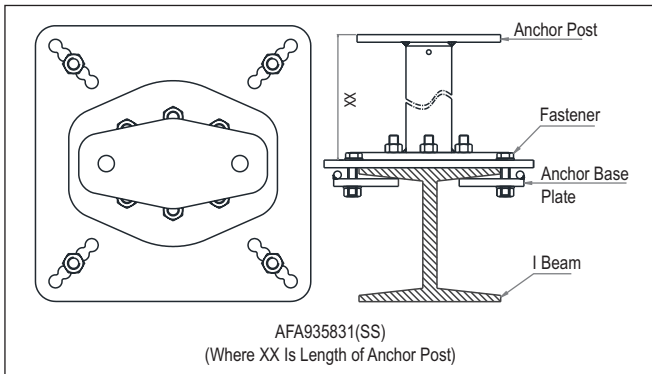
11. REPAIR: If the product becomes damaged, it will NOT provide the optimum level of protection, and therefore should be immediately removed from service. Never use the damaged product. Repair is permitted, provided that it is either done by the manufacturer or a competent repair centre or individual approved by the manufacturer.

12. WITHDRAWAL FROM USE: If the system has been used to arrest a fall, it should be removed from service and returned to the manufacturer or a competent repair centre for servicing and re test.

13. CLEANING & MAINTENANCE: In case of minor soiling, wipe the anchor with cotton cloth or a soft brush. Do not use any abrasive material. For intensive cleaning wash the anchor in water at a temperature between 30°C to 60°C by using a neutral detergent (pH+ 7). The washing temperature should not exceed 60°C. Do not use acid or basic detergents.

14. STORAGE AND TRANSPORT : When not in use, store the anchor away from heavily acidic or basic environment. Never place heavy items on top of it. Also ensure that it is stored away from chemically hazardous environment preferably storage should be in dry environment.

15. WARNING: Do not make any alteration or additions to the equipment without the manufacturer's prior written consent and repair shall only be carried out by personnel trained by the manufacturer & duly authorized by him.



MARKING

<p>(i) — K-STRONG</p> <p>(vii) — 150 N. Radnor Chester Road Suite F200 Radnor, Pennsylvania 19087 United States</p>	<p>(ii) — Product : Anchor Post</p> <p>(iii) — Ref. no : AFA935831(SS)</p> <p>(iv) — UID. : XXXXXXXXXXXXX</p> <p>(v) — Date of Mfg : XXXX</p> <p>(vi) — Rated load : 100kg</p> <p style="text-align: right;">EN 795:2012 Type A</p>	<p>(vii) Read the user instructions carefully before each use.</p> <p style="text-align: right; font-size: small;">MADE IN INDIA</p>
--	---	---

(ix)

MARKING EXPLANATION

The Anchor is marked with :

- (i) Identification of the manufacturer.
- (ii) Product Type
- (iii) Ref. No.
- (iv) UID
- (v) Manufacturing Date
- (vi) Rated Load
- (vii) Read the user instructions before use.
- (viii) Manufacturer's address
- (ix) Norm Reference.

LIFESPAN: The estimated product Lifespan is 10 years from the date of manufacture. The following factors can reduce the Lifespan of the product: intense use, contact with chemical substances, specially aggressive environments, extreme temperature exposure, UV exposure, abrasions, cuts, violent impacts, bad use or maintenance.

DISCLAIMER: Prior to use, the end user must read and understand the manufacturer's instructions supplied with this product at the time of shipment and seek training from their employer's trained personnel on the proper usage of the product. Manufacturer is not liable or responsible for any loss, damage or injury caused or incurred by any person on grounds of improper usage or installation of this product.

EQUIPMENT RECORD				
Product				
Model & type/Identification		Trade Name		Identification number
Manufacturer		Address		Tel, email into use
Year of manufacture		Purchase Date		Date first put into use
Other relevant information (eg. document number)				
PERIODIC EXAMINATION AND REPAIR HISTORY				
Date	Reason for entry (periodic examination or repair)	Defects noted, repairs carried out and other relevant information	Name and signature of competent person	Periodic examination next due date

Certification Body :

SATRA Technology Centre Kettering, Northants, UK (Notified Body 0321)

For EU Declaration, please visit <https://kstrong.com/asia/eu-declaration-form/>



KStrong Inc.
150 N. Radnor Chester Road Suite F200
Radnor, Pennsylvania 19087 United States
Contact number : 1-833-KSTRONG

www.kstrong.com

USA	South America	ASIA
-----	---------------	------