

UNIVERSAL EXTREMITY STAINLESS STEEL CLAMPING PLATES FOR BEAM FLANGE

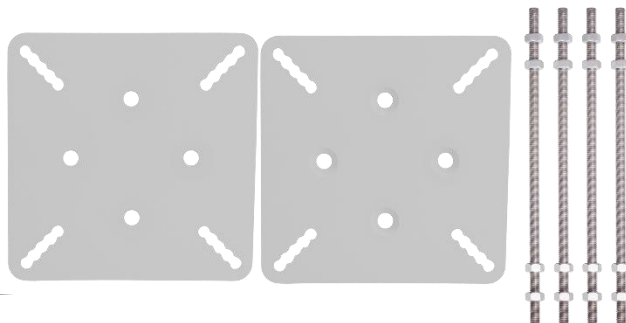
AFA935801(SS)

Features

- The Clamping Plates are designed to be fixed on metal I BEAM at the end of a horizontal lifeline.
- The base have an adjustable opening to adopt to the type of Beam section.
- Compatible with Universal Extremity Plate AFF113710

How To Use

Refer to User Instruction Manual



Metal Components

Clamping Plates	:	316 Stainless Steel: ED Coated Grey
Bolts	:	M12 A4/70 316 Stainless Steel
System Strength	:	15 kN

Flange Width

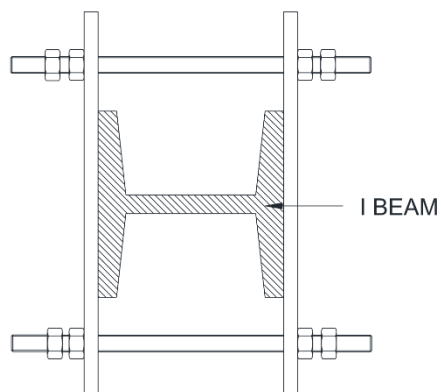
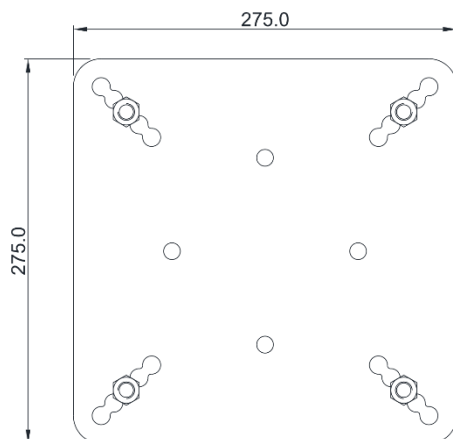
Minimum Flange Width Compatibility	:	150.0 mm
Maximum Flange Width Compatibility	:	220.0 mm

Weight

10.18 kg \pm 0.10 kg

Relevant Standards

Conforms to EN 795:2012 Type A



CE 0598