

IMPACT EXTREMITY POST FOR TRAPEZOIDAL ROOF SHEETS (AFF4000)

AFA935410

Features

- Extremity Anchor Post designed to be fixed on the trapezoidal roof with a minimum thickness of 0.40mm.
- Built in energy absorbing anchor reducing the impact on users and roof profiles in the event of a fall.
- Simple and easy to install by using rivets and selected screws to be fixed directly onto the Purlin for added strength.
- Connect to the anchor by attaching directly to the Anchor Eye.
- Compatible with pitch range from 195 mm to 305 mm on trapezoidal sheets.
- Provided with EPDM rubber for waterproofing.
- Rated for 4 users when used in a Lifeline System.

How To Use

Refer to User Instruction Manual



Metal Components

Base Plate	:	316 Stainless Steel : ED Coated Grey
Corner	:	316 Stainless Steel: Electro-Polished
Bolt	:	316 Stainless Steel
Minimum Breaking Strength	:	15 kN

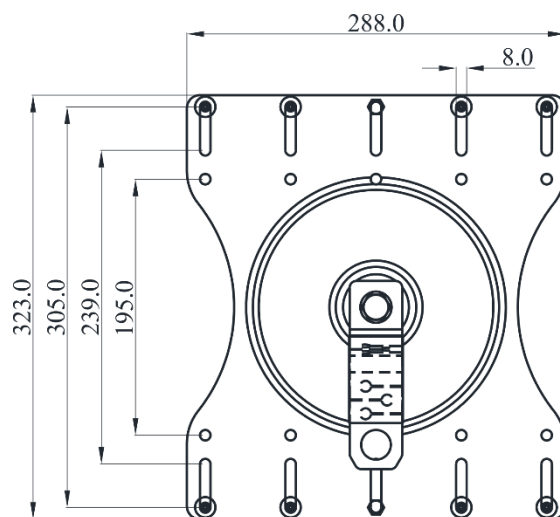


Weight

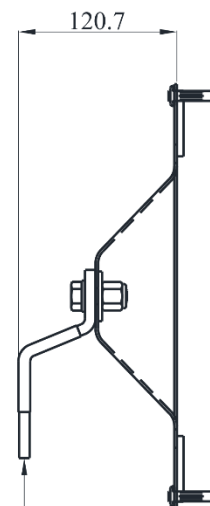
1.9 kgs

Relevant Standards

Conforms to EN 795:2012 TYPE A & TS16415:2013



ANCHOR BASE PLATE



SWIVEL PLATE

CE 0598