

MEMBRANE ROOF TOP EXTREMITY ANCHOR POST

AFA935290

Features

- The Membrane Extremity Post is designed to be fixed on a variety of membrane covered roof structures such as metal, bitumen, ply wood or concrete.
- To be installed on membrane roofs with the help of 4 x M8 x 300mm toggle anchors drilled through the insulation metal, ply wood or concrete
- Supplied with 4 x Membrane washers to cover the top of the toggle bolts allowing for a flat surface when covering with the water proof membrane.
- Can be installed at the time of the initial roof construction, or retro-fitted to existing structures.
- Can be installed anywhere on a flat roof environment

How To Use

Refer to User Instruction Manual



Metal Components

Base Plate	:	316 Stainless Steel : Electro Polished
Corner	:	316 Stainless Steel: Electro-Polished
Toggle Bolts and Hex Bolt	:	M8 x 300mm 316 Stainless Steel
Membrane Washer	:	TPU
Minimum Breaking Strength	:	15 kN

Weight

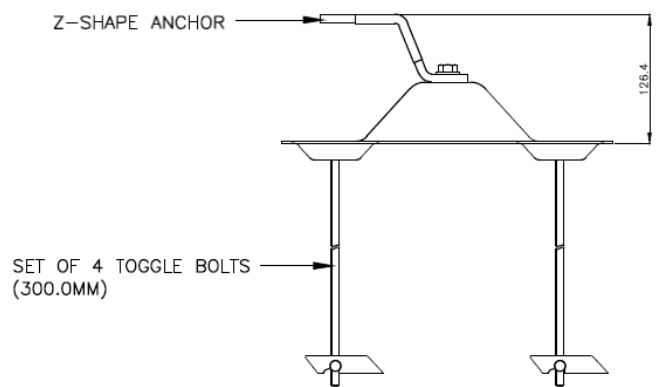
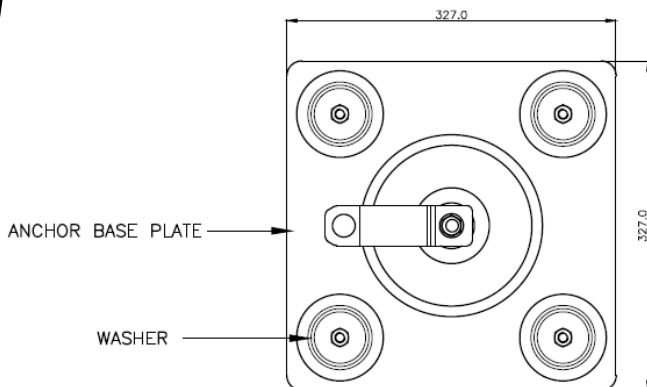
4.093 kgs ± 0.020 kgs

Relevant Standards

Conforms to EN 795:2012 TYPE A, AS/NZS 5532:2013
& TS16415:2013 TYPE A



Membrane Washer



CE 0598