

CORNER PIECE FOR EXTERNAL WALL MOUNTING (AFF4000)

AFA935206

Features

- Corner piece used as an Internal bend on walls for a horizontal lifeline.
- Available in following variants depending upon the angle:
 - AFA935206(60) 60 degrees
 - AFA935206(90) 90 degrees
 - AFA935206(120) 120 degrees
- For Concrete installation M12 Chemical Fastener (refer to Hilti HVU installation guide)
- Maximum force exerted on the corner will not be greater than 11.5kN for 4 users
- The strength of the corner is 28kN

How To Use

Refer to User Instruction Manual



Metal Components

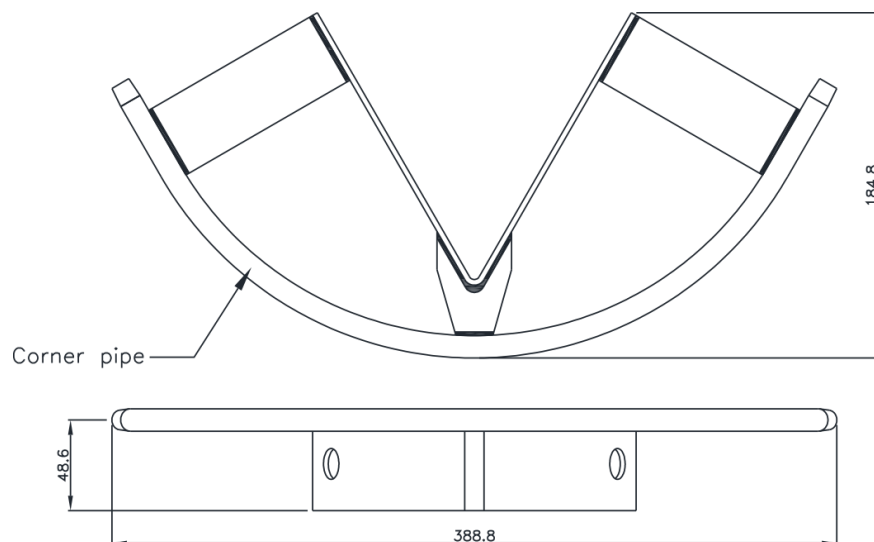
| | | |
|--------|---|------------------------------|
| Corner | : | 316 Stainless Steel Polished |
| Bolts | : | M12 Bolt, SS316, Grade A4-70 |

Weight

| | | |
|----------------|---|-------------------|
| AFA935206(60) | : | 0.76 kg ± 0.01 kg |
| AFA935206(90) | : | 0.78 kg ± 0.01 kg |
| AFA935206(120) | : | 0.79 kg ± 0.01 kg |

Relevant Standards

Conforms to EN 795:2012 Type C

**CE 0598**