

# CORNER PIECE FOR INTERNAL WALL MOUNTING (AFF4000)

**AFA935205**

## Features

- Corner piece used as an Internal bend on walls for a horizontal lifeline.
- Available in following variants depending upon the angle:
  - AFA935205(60) 60 degrees
  - AFA935205(90) 90 degrees
  - AFA935205(120) 120 degrees
- For Concrete installation M12 Chemical Fastener (refer to Hilti HVU installation guide)
- Maximum force exerted on the corner will not be greater than 11.5kN for 4 users
- The strength of the corner is 28kN

## How To Use

Refer to User Instruction Manual



## Metal Components

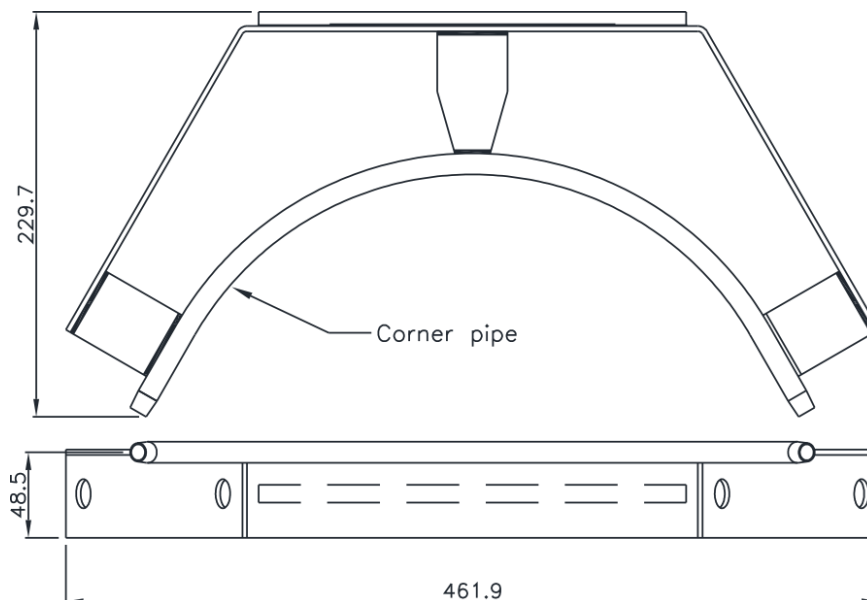
|        |   |                                |
|--------|---|--------------------------------|
| Corner | : | Stainless Steel Polished       |
| Bolts  | : | M12 Bolt , SS316 , Grade A4-70 |

## Weight

|                |   |                       |
|----------------|---|-----------------------|
| AFA935205(60)  | : | 1.26 kg $\pm$ 0.01 kg |
| AFA935205(90)  | : | 1.06 kg $\pm$ 0.01 kg |
| AFA935205(120) | : | 1.11 kg $\pm$ 0.01 kg |

## Relevant Standards

Conforms to EN 795:2012 Type C

**CE 0598**