

---

USER INSTRUCTION MANUAL  
**EDGE D-RING ANCHOR PLATE**

THESE INSTRUCTIONS APPLY TO THE FOLLOWING MODEL:

AFA930050

EN 795: 2012 Type A

\* The bolt image on cover is for reference purpose only & it would not be provided with the anchor.

Please read and understand the manufacturer's instructions for each component or part of the complete system. Manufacturer's instructions must be followed for proper use, care, and maintenance of this product. These instructions must be retained and be kept available for the user's reference at all times. Alterations or misuse of this product, or failure to follow instructions, may result in serious injury or death.

**Note:** The user is advised to keep this user instructions document for the life of the product.

- 1. INTRODUCTION:** This Anchor is classed as a Personal Protective Equipment (PPE) by the European PPE Regulation (EU) 2016/425 and have been shown to comply with this Regulation through the Harmonized European Standard EN 795:2012 type A.

This Anchor is designed to minimize the risk of/provide protection against the danger of falling from heights. However, always remember that no item of PPE can provide full protection and care must always be taken while carrying out the risk related activity.

- 2. PERFORMANCE AND LIMITATIONS OF USE:**

The Anchor has been tested in accordance with EN 795:2012 type A and has achieved the following performance levels:

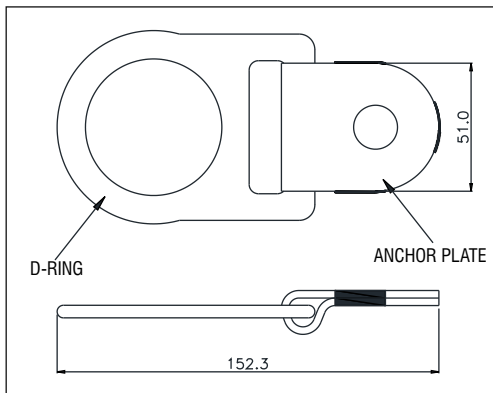
EN 795:2012 Type A test	Result/Comment
General Requirements for Anchor Devices (Clause 4.2)	(PASS)
Static Strength (Clause 4.4.1.3)	No sharp edges (PASS). Sustained a force of 12 kN for 3 minutes (PASS).
Dynamic Strength & Integrity Test (Clause 4.4.1.2)	When tested with rigid steel mass of 100 kg, the test mass held after test with the device remaining stable throughout. (PASS) Anchor Holds an increased load of 300kg for 3 min following dynamic test.
Corrosion Resistance (Clause 4.7)	No Corrosion evident after 48 hours of salt spray testing. (PASS)

- 3. APPLICATION :** The Egde D-Ring Anchor Plates have been designed for temporary or permanent applications, It can be used on concrete and Steel. D-ring anchor bolts can be used for vertical wall, floor mount, or overhead ceiling installation. It incorporates a reuseable D-ring assembly; just install a new bolt assembly and it's ready to go.

- 4. INSPECTION:** Visually inspect the system before each use to ensure that it is in a serviceable condition and is operating correctly. If during inspection, doubts are raised about the safety of the system or a component, these should be replaced either by the manufacturer or a competent person.

- 5. PRECAUTIONS:**

- Ensure the Medical condition of the user does not affect his safety in normal and emergency use.
- The equipment shall only be used by a person trained and competent in its safe use.
- A rescue plan shall be in place to deal with any emergencies that could arise during the work.
- Ensure that the anchor is installed directly above the user's head.
- It is essential to verify free space required beneath the user at work place before each occasion of use so that in case of a fall there will be no collision with ground or other obstacle in the fall path.



**6. INSTRUCTIONS FOR USAGE :**

- All mechanical attachments shall be determined by an engineer on sight or a qualified person.
- Use rotary hammer and drill bit (bit size: 12mm). Hole MUST be 95mm deep.
- Clean hole using compressed air. Ensure hole is fully clean of all debris.
- Dismantle bolt by removing nut & washer.
- Reassemble bolt with Anchor D-ring and Bracket Assembly. In order, pass Inner Bolt through Washer, D-ring and Bracket Assembly, and Outer Bolt Components (see image on right). Ensure bolt end cap (#6) is handtight and fully secure.
- Use a hammer to drive Anchor and bolt into hole. D-ring bracket must be flush against work surface. DO NOT expand bolt before fully installing Anchor in hole.
- Attach complete and compatible personal fall arrest system to Anchor D-ring.

**7. ANCHORAGE STRENGTH:** Ensure that the structure on to which the anchor is fitted is strong enough to withstand a load of 12kN. Please refer to an Engineer to verify the concrete structure is suitable for the installation.

**8. LIMITATIONS:**

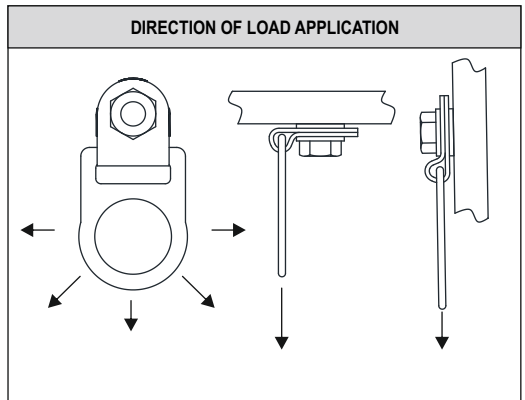
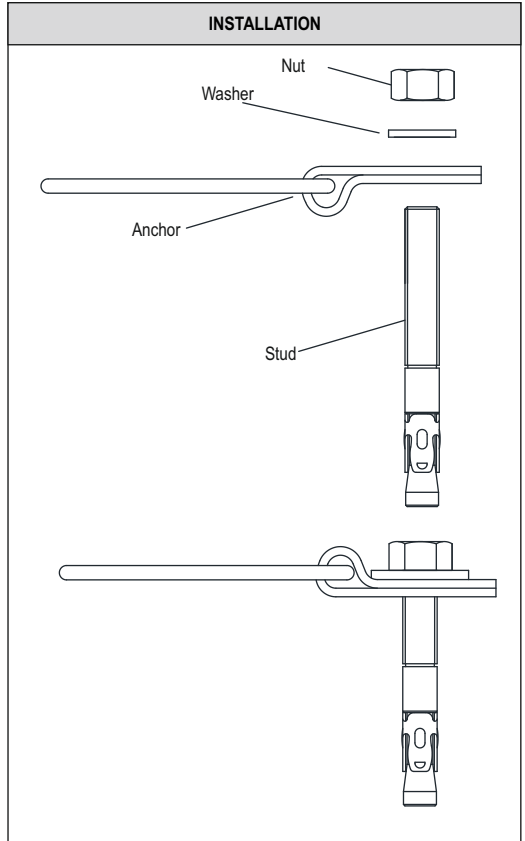
- Anchors should be the personal property of its user.
- It should not be used in highly acid or basic environments.
- The anchor has been tested to EN 795:2012 type A and is appropriate only for single person use with an energy absorber as per EN 355:2002.
- Ensure that the Anchor is installed directly above the user's head.

**9. COMPATIBILITY:** To optimize protection, in some instance it may be necessary to use the anchor with suitable PPE such as boots/ gloves/ helmet/ ear defenders. In this case, before carrying out the risk-related activity, consult your supplier to ensure that all your protective products are compatible and suitable for your application.

**10 REPAIR:** If the product becomes damaged, it will NOT provide the optimum level of protection, and therefore should be immediately removed from service. Never use the damaged product. Repair is permitted, provided that it is either done by the manufacturer or a competent repair centre or individual approved by the manufacturer.

**11 WITHDRAWAL FROM USE:** If the system has been used to arrest a fall, it should be removed from service and returned to the manufacturer or a competent repair centre for servicing and re-test.

**12 CLEANING:** In case of minor soiling, wipe the anchor with cotton cloth or a soft brush. Do not use any abrasive material. For intensive cleaning wash the anchor in water at a temperature between 30°C to 60°C by using a neutral detergent (pH 7). The washing temperature should not exceed 60°C. Do not use acid or basic detergents.



**13 STORAGE AND TRANSPORT:** When not in use, store the anchor away from heavily acidic or basic environment. Never place heavy items on top of it. Also ensure that it is stored away from chemically hazardous environment preferable storage should be in dry environment.

**14. WARNING:**

- Do not make any alteration or additions to the equipment without the manufacturer's prior written consent and repair shall only be carried out by personnel trained by the manufacture & duly authorized by him.
- The equipment shall not be used outside its limitation, or for any purpose other than that for which it is intended.

**MARKING**

**MAX**

**KSTRONG®**


**iv** ANCHOR : AFA930050 **iii**


**vi** UID : XXXXXXXXXXXXXXX

**v** EN795:2012-TYPE A

MBS.: 23kN

**i**



  
Read the user instructions carefully before each use.

**The Anchor is marked with :**

- (i) For Single user only.
- (ii) Identification of the manufacturer
- (iii) Type or product code
- (iv) Product description
- (v) Norm Reference.
- (vi) UID of traceability

**LIFESPAN:** The estimated product Lifespan is 10 years from the date of manufacture. The following factors can reduce the Lifespan of the product: intense use, contact with chemical substances, specially aggressive environments, extreme temperature exposure, UV exposure, abrasions, cuts, violent impacts, bad use or maintenance.

**DISCLAIMER:** Prior to use, the end user must read and understand the manufacturer's instructions supplied with this product at the time of shipment and seek training from their employer's trained personnel on the proper usage of the product. Manufacturer is not liable or responsible for any loss, damage or injury caused or incurred by any person on grounds of improper usage or installation of this product.

<b>EQUIPMENT RECORD</b>				
Product				
Model & type/Identification		Trade Name		Identification number
Manufacturer		Address		Tel, email into use
Year of manufacture		Purchase Date		Date first put into use
Other relevant information (eg. document number)				
<b>PERIODIC EXAMINATION AND REPAIR HISTORY</b>				
Date	Reason for entry (periodic examination or repair)	Defects noted, repairs carried out and other relevant information	Name and signature of competent person	Periodic examination next due date





**Certification Body :**

SATRA Technology Europe Ltd, Bracetown Business Park, Clonee, Dublin D15 YN2P Ireland (Notified Body 2777)

**Ongoing Assessment Body:**

SGS Fimko Oy, Takomotie 8, FI-00380 Helsinki, Finland (Notified Body 0598)

For EU Declaration, visit <https://kstrong.com/asia/eu-declaration-form/>



KStrong Inc.  
150 N. Radnor Chester Road Suite F200  
Radnor, Pennsylvania 19087 United States  
Contact number : 1-833-KSTRONG

[www.kstrong.com](http://www.kstrong.com)

---

USA

South America

ASIA

---