

KStrong® Megapod™

Model: UFT510010

DESIGN

- Adjustable height from 99 in. (8.25 ft. or 2.51m) to 114 in. (9.5 ft. or 2.90m) from ground level.
- At minimum height, distance between legs (foot point) Ø7.03' (2.14m).
- At maximum height, distance between legs (foot point) Ø7.6' (2.32m).
- Adjustment achieved by sliding telescopic legs (Inner & Outer).
- Locking pins attached by SS cables.
- Securely connected two eye bolts to be used for connection to personal protective equipment.
- Two pulley system provided to pass the wire rope of winch mounted on one leg and retrieval block on the other leg simultaneously.

LOAD CAPACITY

310 lbs. (140 kg) (As per ANSI Z359.1-2007)

MEGAPOD LEGS & HEAD

Material: Prime quality aluminum alloy
Finish: Anodized

LOCKING PINS

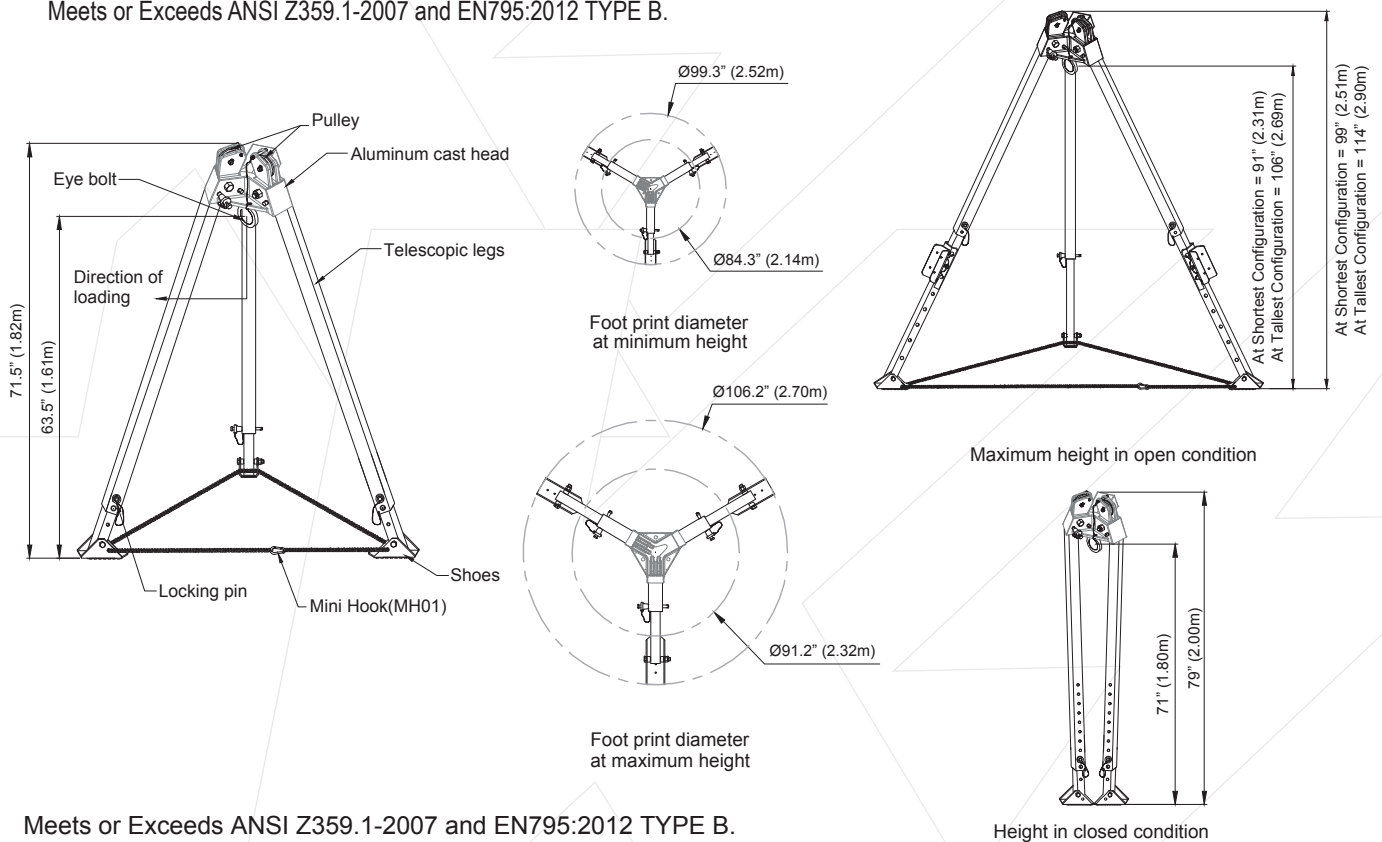
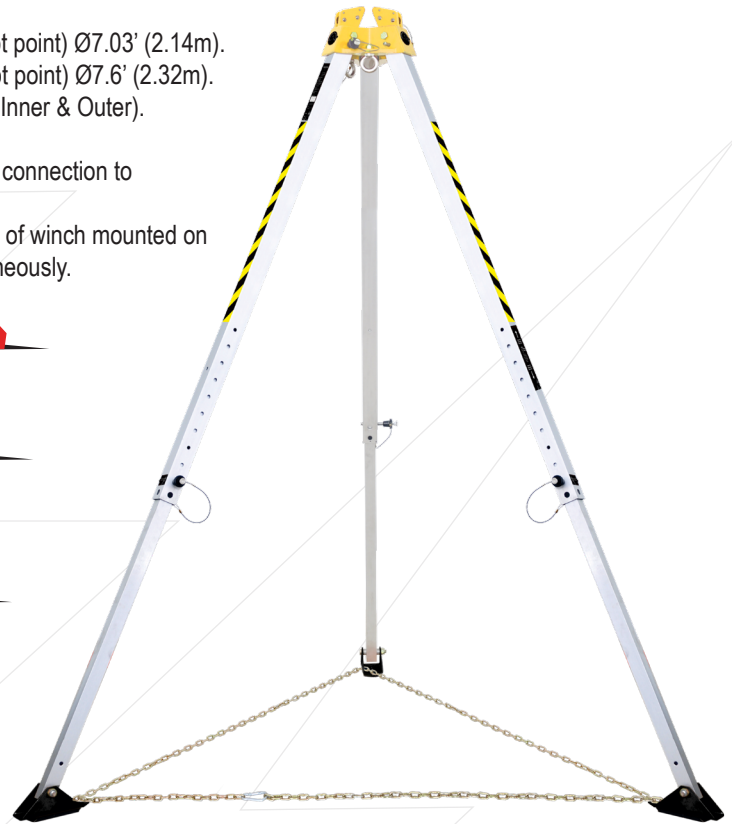
Material: Stainless steel
Finish: Polished

WEIGHT

52.54 lbs. ± 0.22 lbs. (23.832 kg ± 0.100 kg)
In Case: 76.1 lbs. ± 0.22 lbs. (34.518 kg ± 0.100 kg)

RELEVANT STANDARDS

Meets or Exceeds ANSI Z359.1-2007 and EN795:2012 TYPE B.



Meets or Exceeds ANSI Z359.1-2007 and EN795:2012 TYPE B.