

KStrong® 6 ft. Micron™ SRL with snap hook (ANSI)

Model: UFS350002

MICRON™

SRL SERIES

KStrong® 6 ft. Micron™ Lightweight SRL with one (1) snap hook at anchor end (ANSI)

PHYSICAL PARAMETERS

- Lightest available SRL in it's range/class.
- Robust & durable plastic casing.
- Technora Webbing with Energy absorber.
- Steel snap hook at Attachment end (Our ref. PN146)

LENGTH

6 ft.

WEBBING

Material: Technora Webbing 0.827" (21mm)
Min. Breaking strength: 4500 lbs.

WEIGHT

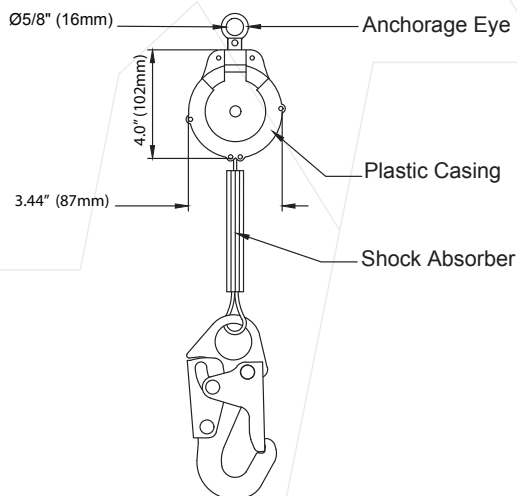
3.51 lbs. ± 0.22 lbs. (1592 gm ± 100 gm)

RELEVANT STANDARDS

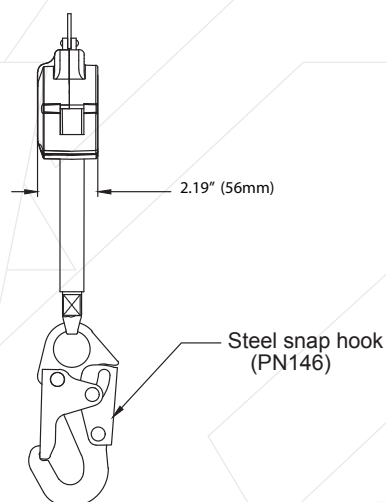
Meets or Exceeds ANSI Z359.14-2014 CLASS A



FRONT VIEW



SIDE VIEW



Meets or Exceeds ANSI Z359.14-2014 CLASS A