

KStrong® BRUTE™ 50 ft. Cable SRL-LE with snap hook. Includes installation carabiner and tagline (ANSI).

Model: UFS310050L

KStrong® BRUTE™ 50' Galvanized Wire Cable SRL-LE (ANSI Leading Edge Rated) with High Impact Strength Polymer Housing with Built-in Handle, swivel eye at anchorage end, other end with load indicator swivel snap hook. Includes one (1) installation carabiner and one (1) tagline AFZ830050 (ANSI).

BRUTE™

SRL SERIES

PHYSICAL PARAMETERS

- Robust & durable plastic casing
- Has swivel anchorage eye at anchorage end
- Steel swivel hook at retractable end (Our ref. PN 144 as per ANSI Z359.12-2009 gate strength 3600 lbs. (1633 kg))
- Galvanized steel wire rope (option of having S.S. wire rope available)
- Comes with shock absorber with cover.

LENGTH

50 ft.

CABLE

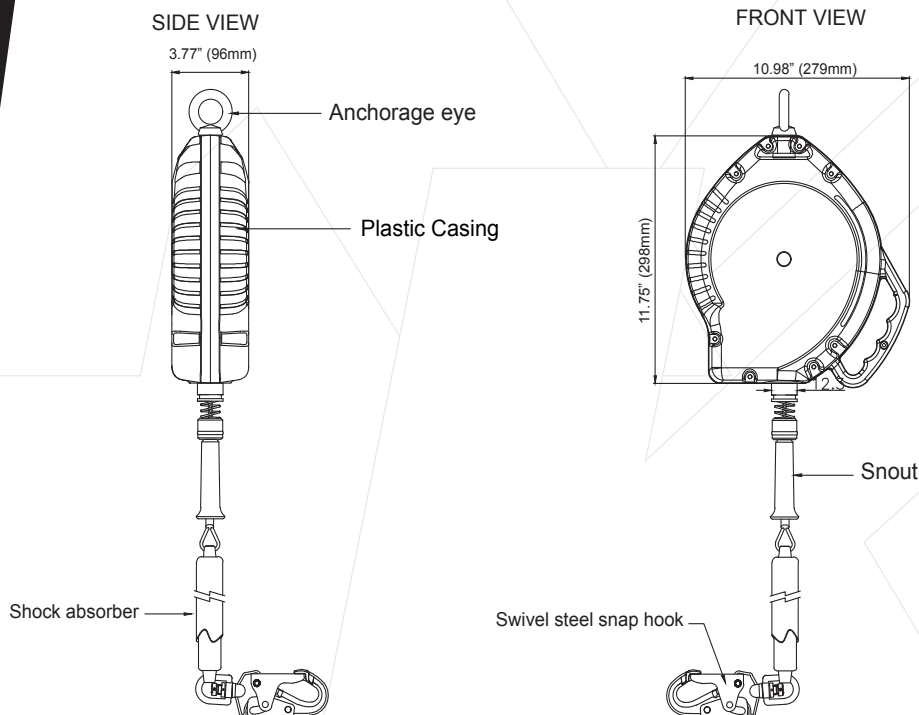
Material: Galvanized steel wire rope $\varnothing 7/32$ Inches
Minimum Breaking strength: 3400 Pounds (1542 kg).

WEIGHT

18.60 lbs. \pm 0.22 lbs. (8437 gm \pm 100 gm)

RELEVANT STANDARDS

Meets or Exceeds ANSI Z359.14-2014 SRL-LE (Class B)



Meets or Exceeds ANSI Z359.14-2014 SRL-LE (Class B)