

KStrong® 6 ft. Twin leg 100% tie-off Elasticated design shock absorbing lanyard with snap hook and rebar hooks (ANSI)

Model: UFL206131

KStrong® 6 ft. Twin leg 100% tie-off Elasticated (stretches from 4.5 ft. to 6 ft.) design shock absorbing lanyard with one (1) snap hook and two (2) rebar hooks (ANSI).

DESIGN

• Y Shaped 1.57 in. (40mm) wide polyester tubular elasticated webbing incorporated with energy absorbing (6 ft.) Polyester Webbing with one side equipped with Steel Stamped Snap Hook (PN 146) and the other two sides equipped with Steel Rebar Hook (PN 167).

WEBBING

Material : Polyester.
Width : 1.57" ± 0.04" (40mm ± 1mm)
Breaking strength : 6000 lbs. (2722kg)

STITCHING THREAD

Material: High-tenacity polyester

METAL COMPONENT

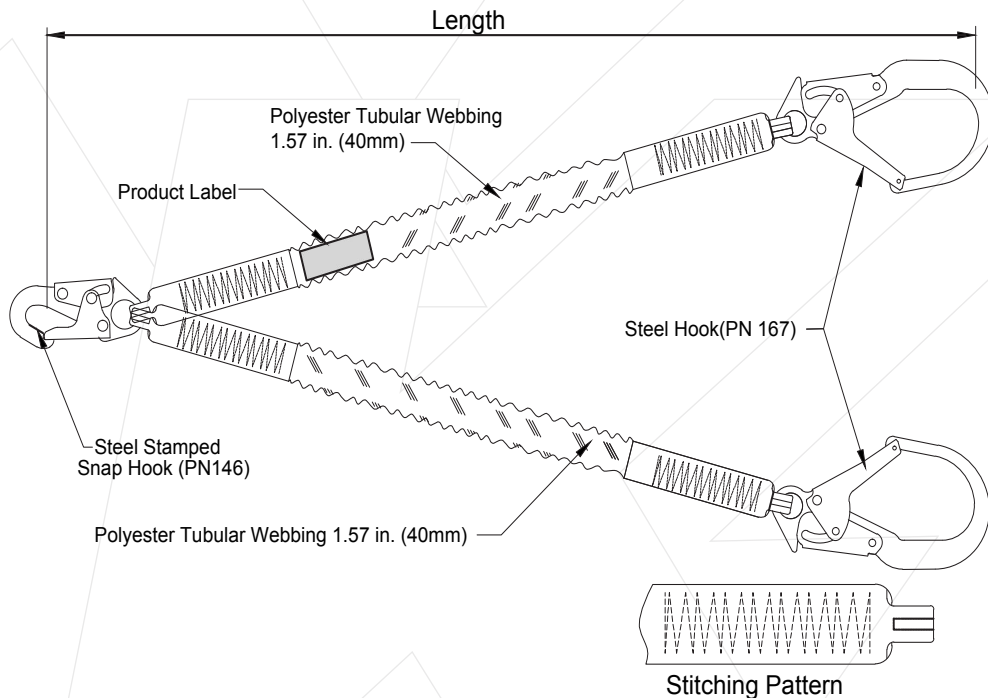
Material: Alloy steel
Plating: Zinc plated
Finish: Shot blasted
Breaking Strength: 5000 lbs. (2268kg)

WEIGHT

6.06 lbs. ± 0.02 lbs. (2750 gm ± 10 gm)

RELEVANT STANDARDS

Meets or Exceeds ANSI Z359.13-2013



Meets or Exceeds ANSI Z359.13-2013

Length : 6 ft.