

## KStrong® 6 ft. Twin leg 100% tie-off Clear pack design shock absorbing lanyard with snap hooks (ANSI)

Model: UFL201121

KStrong® 6 ft. Twin leg 100% tie-off Clear pack design shock absorbing lanyard with three (3) snap hooks (ANSI)

### DESIGN

- Double, Y shaped lanyard incorporated with energy absorber.
- All ends of the lanyard equipped with steel snap hook (PN-146).

### WEBBING

Material: Polyester  
Width: 1.18 in.  $\pm$  0.04 in. (30mm  $\pm$  1mm)  
Breaking Strength: 6000 lbs. (2722kg)

### STITCHING THREAD

Material: High-tenacity polyester

### METAL COMPONENT

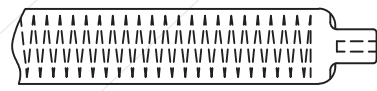
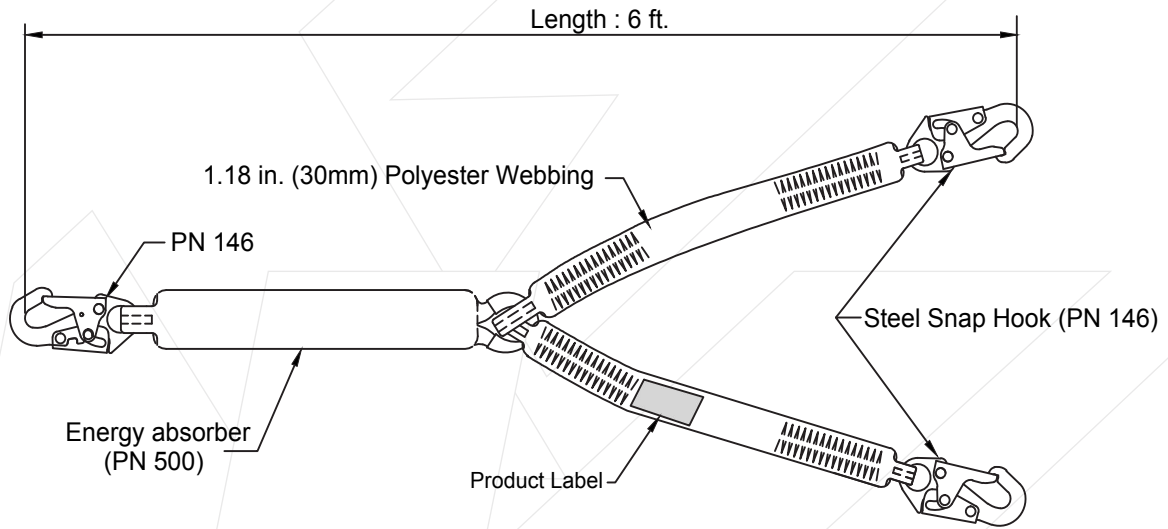
Material: Alloy Steel | Plating: Zinc Plated | Finish: Shot blasted  
Breaking Strength: 5000 lbs (2268kg).

### WEIGHT

4.04 lbs.  $\pm$  0.02 lbs. (1835 gm  $\pm$  10 gm)

### RELEVANT STANDARDS

Meets or Exceeds ANSI Z359.13-2013



Stitching Pattern

Meets or Exceeds ANSI Z359.13-2013

Length: 6 ft.