

Product Update Announcement

BRUTE[™] SRL SERIES

Model	Length	ANSI User Capacity	OSHA User Capacity
UFS310010	10 ft.	310 lbs. Max.	400 lbs. Max.
UFS310020	20 ft.	310 lbs. Max.	400 lbs. Max.
UFS310030	30 ft.	310 lbs. Max.	400 lbs. Max.
UFS310050	50 ft.	310 lbs. Max.	400 lbs. Max.
UFS310100	100 ft.	310 lbs. Max.	400 lbs. Max.



KStrong® BRUTE™ 10 ft. Cable SRL with snap hook. Includes installation carabiner (ANSI)

Model: UFS310010

BRUTE™

SRL SERIES

KStrong® BRUTE™ 10' Galvanized Wire Cable SRL with High Impact Strength Polymer Housing with Built-in Handle, swivel eye at anchorage end, other end with load indicator swivel snap hook. Includes one (1) installation carabiner (ANSI)

DESIGN

- Robust & durable plastic casing
- Has anchorage handle at anchorage end
- Steel swivel hook at retractable end (Our ref. PN 144 as per ANSI Z359.12-2009 gate strength 3600 lbs. (1633 kg))
- Galvanized steel wire rope (option of having S.S. wire rope available)

LENGTH

10 ft.

CABLE

Material: Galvanized steel wire rope Ø3/16 inches
Minimum Breaking strength: 3400 lbs. (1542 kg)

WEIGHT

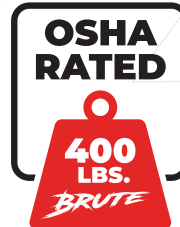
5.55 lbs. ± 0.22 lbs. (2517 gm ± 100 gm)

USER CAPACITY

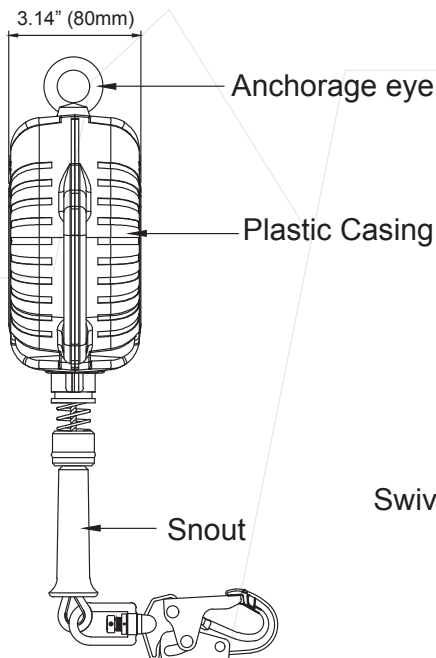
ANSI User Capacity: 310 lbs. Max.
OSHA User Capacity: 400 lbs. Max

RELEVANT STANDARDS

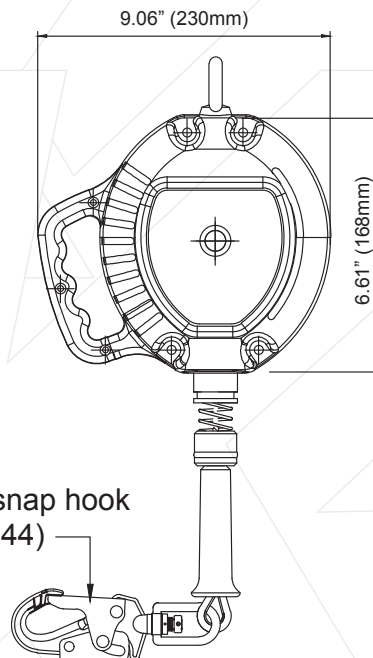
Meets or Exceeds ANSI Z359.14-2014 CLASS B.



SIDE VIEW



FRONT VIEW



Meets or Exceeds ANSI Z359.14-2014 Class B

KStrong® BRUTE™ 20 ft. Cable SRL with snap hook. Includes installation carabiner and tagline (ANSI)

Model: UFS310020

BRUTE™

SRL SERIES

KStrong® BRUTE™ 20' Galvanized Wire Cable SRL with High Impact Strength Polymer Housing with Built-in Handle, swivel eye at anchorage end, other end with load indicator swivel snap hook. Includes one (1) installation carabiner and one (1) tagline AFZ830025 (ANSI)

DESIGN

- Robust & durable plastic casing
- Has anchorage handle at anchorage end
- Steel swivel hook at retractable end (Our ref. PN 144 as per ANSI Z359.12-2009 gate strength 3600 lbs. (1633 kg))
- Galvanized steel wire rope (option of having S.S. wire rope available)

LENGTH

20 ft.

CABLE

Material: Galvanized steel wire rope Ø3/16 inches
Minimum Breaking strength: 3400 lbs. (1542 kg)

WEIGHT

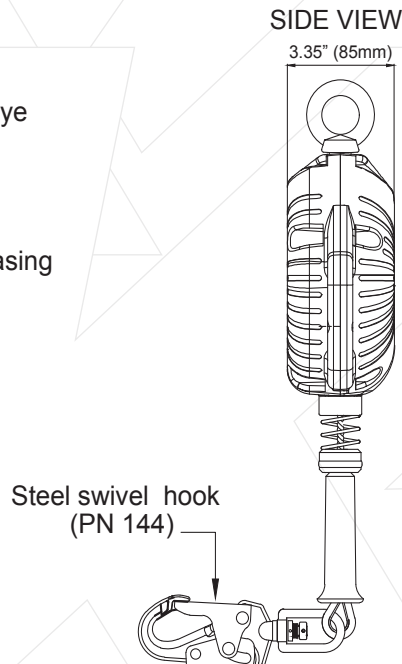
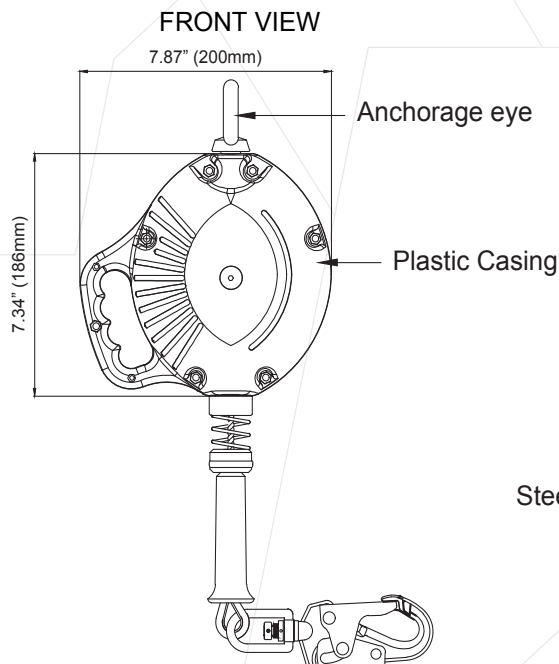
8.55 lbs. ± 0.22 lbs. (3878 gm ± 100 gm)

USER CAPACITY

ANSI User Capacity: 310 lbs. Max.
OSHA User Capacity: 400 lbs. Max

RELEVANT STANDARDS

Meets or Exceeds ANSI Z359.14-2014 CLASS B.



Meets or Exceeds ANSI Z359.14-2014 CLASS B

KStrong® BRUTE™ 30 ft. Cable SRL with snap hook. Includes installation carabiner and tagline (ANSI)

Model: UFS310030



KStrong® BRUTE™ 30' Galvanized Wire Cable SRL with High Impact Strength Polymer Housing with Built-in Handle, swivel eye at anchorage end, other end with load indicator swivel snap hook. Includes one (1) installation carabiner and one (1) tagline AFZ830050 (ANSI)

DESIGN

- Robust & durable plastic casing
- Has swivel anchorage eye at anchorage end
- Steel snap hook at retractable end (Our ref. PN 144 as per ANSI Z359.12-2009 gate strength 3600 lbs. (1633 kg))
- Galvanized steel wire rope (option of having S.S. wire rope available)

LENGTH

30 ft.

CABLE

Material: Galvanized steel wire rope Ø3/16 Inches
Minimum Breaking strength: 3400 lbs. (1542 kg).

WEIGHT

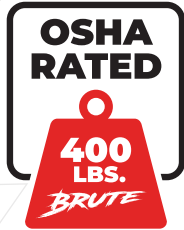
10.63 lbs. ± 0.22 lbs. (4822 gm ± 100 gm)

USER CAPACITY

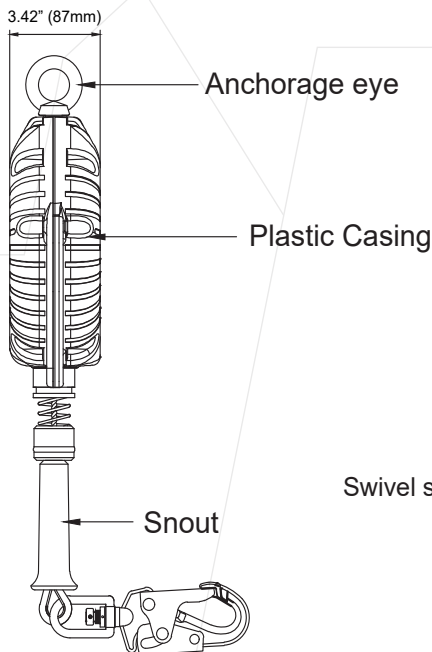
ANSI User Capacity: 310 lbs. Max.
OSHA User Capacity: 400 lbs. Max

RELEVANT STANDARDS

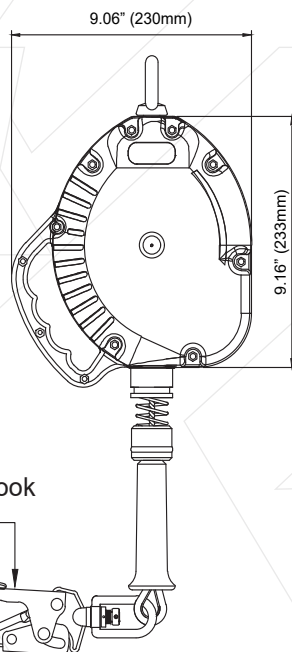
Meets or Exceeds ANSI Z359.14-2014 CLASS B.



SIDE VIEW



FRONT VIEW



Meets or Exceeds ANSI Z359.14-2014 CLASS B

KStrong® BRUTE™ 50 ft. Cable SRL with snap hook. Includes installation carabiner and tagline (ANSI)

Model: UFS310050

BRUTE™

SRL SERIES

KStrong® BRUTE™ 50' Galvanized Wire Cable SRL with High Impact Strength Polymer Housing with Built-in Handle, swivel eye at anchorage end, other end with load indicator swivel snap hook. Includes one (1) installation carabiner and one (1) tagline AFZ830050 (ANSI)

DESIGN

- Robust & durable plastic casing
- Has swivel anchorage eye at anchorage end
- Steel swivel hook at retractable end (Our ref. PN 144 as per ANSI Z359.12-2009 gate strength 3600 lbs. (1633 kg))
- Galvanized steel wire rope (option of having S.S. wire rope available)

LENGTH

50 ft.

CABLE

Material: Galvanized steel wire rope Ø3/16 Inches
Minimum Breaking strength: 3400 lbs. (1542 kg).

WEIGHT

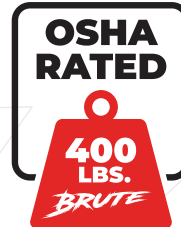
17.73 lbs. ± 0.22 lbs. (8042 gm ± 100 gm)

USER CAPACITY

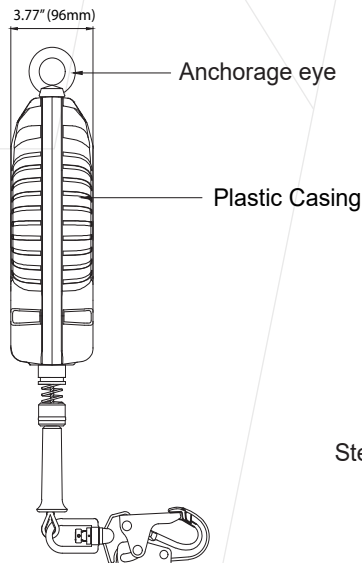
ANSI User Capacity: 310 lbs. Max.
OSHA User Capacity: 400 lbs. Max

RELEVANT STANDARDS

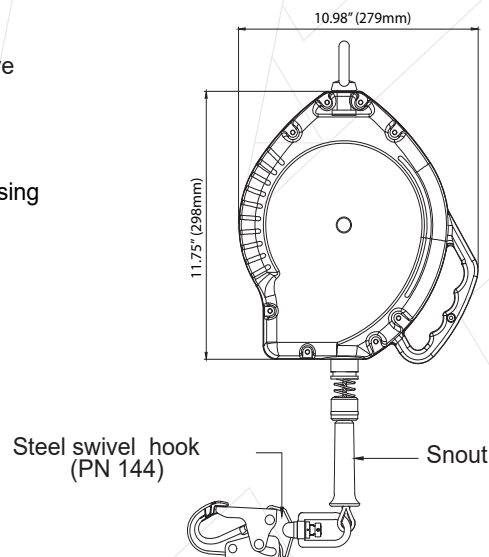
Meets or Exceeds ANSI Z359.14-2014 CLASS B.



SIDE VIEW



FRONT VIEW



Meets or Exceeds ANSI Z359.14-2014 CLASS B & OSHA COMPLIANT

KStrong® BRUTE™ 100 ft. Cable SRL with snap hook. Includes installation carabiner and tagline (ANSI)

Model: UFS310100

BRUTE™

SRL SERIES

KStrong® BRUTE™ 100' Galvanized Wire Cable SRL with High Impact Strength Polymer Housing with Built-in Handle, swivel eye at anchorage end, other end with load indicator swivel snap hook. Includes one (1) installation carabiner and one (1) tagline AFZ830100 (ANSI)

DESIGN

- Robust & durable plastic casing
- Has swivel anchorage eye at anchorage end
- Steel swivel hook at retractable end (Our ref. PN 144 as per ANSI Z359.12-2009 gate strength 3600 lbs. (1633 kg))
- Galvanized steel wire rope (option of having S.S. wire rope available)

LENGTH

100 ft.

CABLE

Material: Galvanized Steel wire rope \varnothing 3/16"
Breaking Strength: 3400 lbs.

WEIGHT

26.73 lbs. \pm 0.22 lbs. (12125 gm \pm 100 gm)

USER CAPACITY

ANSI User Capacity: 310 lbs. Max.
OSHA User Capacity: 400 lbs. Max

RELEVANT STANDARDS

Meets or Exceeds ANSI Z359.14-2014 CLASS B.

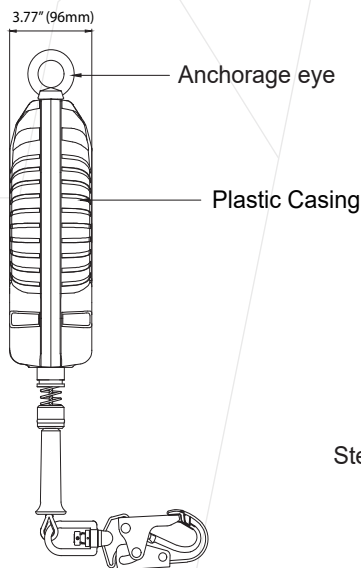
**OSHA
RATED**

**400
LBS.**

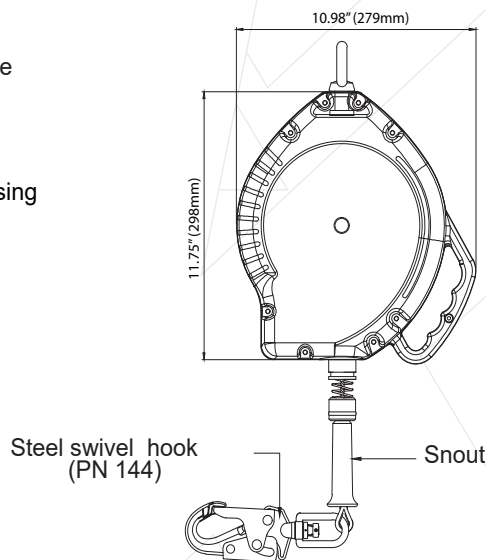
BRUTE



SIDE VIEW



FRONT VIEW



Meets or Exceeds ANSI Z359.14-2014 CLASS B & OSHA COMPLIANT