

KStrong® Dual 6 ft. Micron™ SRL assembly with rebar hooks (ANSI). Includes connector to attach to harness.

Model: UFS354002D

MICRON™

SRL SERIES

KStrong® Dual 6 ft. Micron™ Lightweight SRL assembly with one (1) rebar hook at each anchor end (ANSI). Includes one (1) connector to attach to harness.

PHYSICAL PARAMETERS

- Lightest available SRL in it's range/class.
- Robust & durable plastic casing.
- Technora Webbing with Energy absorber.
- Stamped steel scaffold hook at Attachment end (Our ref. PN167)

LENGTH

6 ft.

WEBBING

Material: Technora Webbing 0.827" (21mm)
Min. Breaking strength: 4500 lbs.

WEIGHT

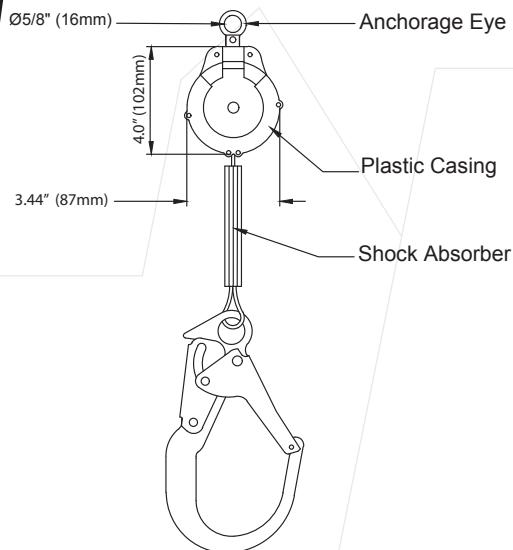
8.70 lbs. ± 0.22 lbs. (3946 gm ± 100 gm)

RELEVANT STANDARDS

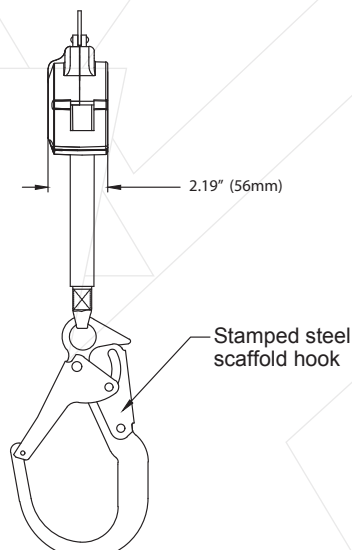
Meets or Exceeds ANSI Z359.14-2014 Class A



FRONT VIEW



SIDE VIEW



Meets or Exceeds ANSI Z359.14-2014 CLASS A