

## KStrong® Dual 6 ft. Micron™ SRL assembly with aluminum hooks (ANSI). Includes connector to attach to harness.

Model: UFS351102D

# MICRON™

## SRL SERIES

KStrong® Dual 6 ft. Micron™ Lightweight SRL assembly with one (1) lightweight aluminum hook at each anchor end (ANSI). Includes one (1) connector to attach to harness.

### PHYSICAL PARAMETERS

- Lightest available SRL in it's range/class.
- Robust & durable plastic casing.
- Technora Webbing with Energy absorber.
- Aluminum Quarter turn locking hook with fall indicator at Attachment end (Our ref. PN130A)

### LENGTH

6 ft.

### WEBBING

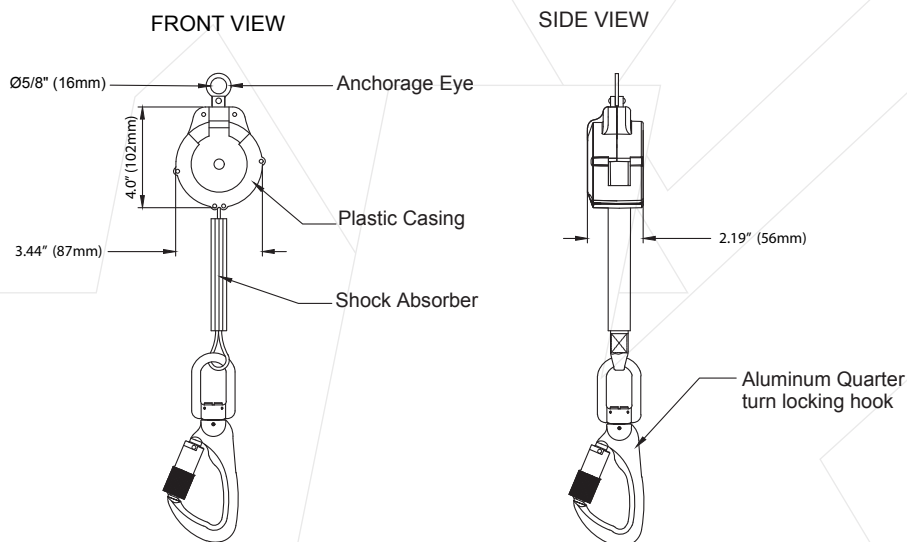
Material: Technora Webbing 0.827" (21mm)  
Min. Breaking strength: 4500 lbs.

### WEIGHT

5.10 lbs. ± 0.22 lbs. (2313 gm ± 100 gm)

### RELEVANT STANDARDS

Meets or Exceeds ANSI Z359.14-2014 Class A



Meets or Exceeds ANSI Z359.14-2014 CLASS A