

KStrong® Aluminum Sliding Beam Anchor, Adjustable 3.5" - 14" (ANSI)

Model: UFA30110

KStrong® Rolling Beam Anchor Trolley, Adjustable to fit I-beams with flange widths ranging from 3.5" to 14" (ANSI)

DESIGN

•Anchor capable of being installed on flange of beams. Adjustment of the jaw to variable positions enables it to be installed to varying flange widths.

MATERIAL

Aluminum Alloy & Brass

SYSTEM STRENGTH

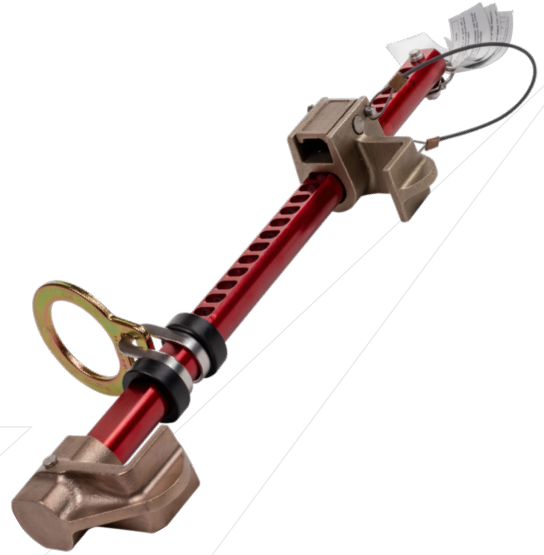
Greater than 23 kN (5000 lbs.)

WEIGHT

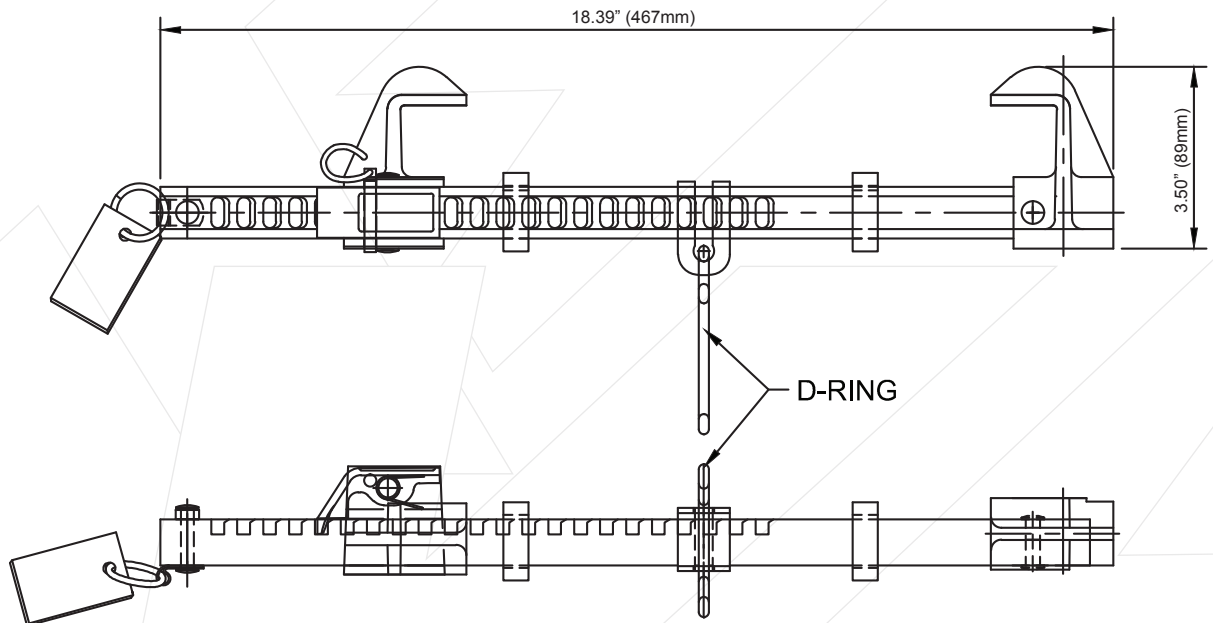
4.08 lbs. ± 0.22 lbs. (1851 gm ± 100 gm)

RELEVANT STANDARDS

Meets or Exceeds ANSI Z359.18-2017



CE0120



Meets or Exceeds ANSI Z359.18-2017