

## KStrong® Kaptor™ Tool Cinch, Dual Wing, Medium Duty, 15kg

Model: DL200101

**KAPTOR™**  
TOOL LANYARDS

### DESIGN

- Webbing tool attachment made in 25mm polyester webbing with D-ring at one end and webbing loop at other end
- Provided with a lightweight D-ring

### MATERIAL

Webbing - 25mm Polyester.  
D-ring - Alloy Steel

### CAPACITY

15kg

### LENGTH

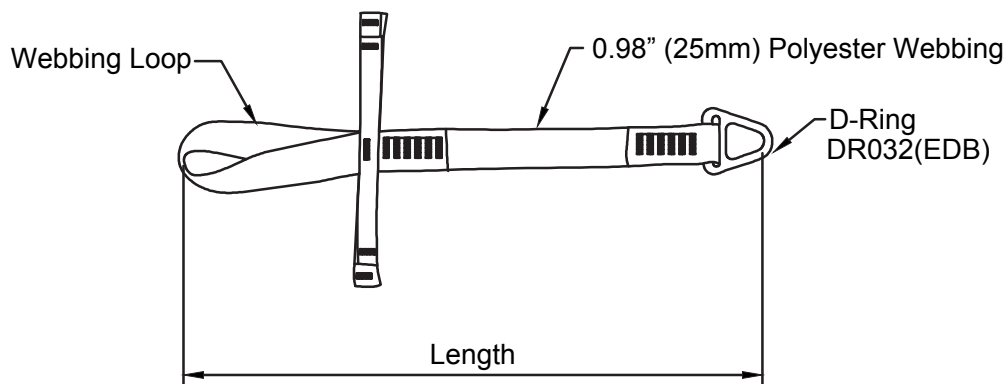
35cm

### WEIGHT

73 gm ± 3.5 gm

### RELEVANT STANDARDS

Meets or Exceeds ANSI/ISEA 121-2018



Meets or Exceeds ANSI/ISEA 121-2018

Length- 14.56" (37cm)