

## KStrong® Kaptor™ Webbing Tool Connector XL - 6.5 inches, 3 lbs. (ANSI)

Model: DL100354

### DESIGN

- XL tool attachment made in 0.59" (15mm) polyester webbing with swivel at one end and folded end at other end
- Provided with a lightweight swivel

### MATERIAL

Webbing - 0.59" (15mm) Polyester.  
Swivel - Alloy Steel

### CAPACITY

3 lbs. (1360gm)

### LENGTH

6.5" (165mm)

### WEIGHT

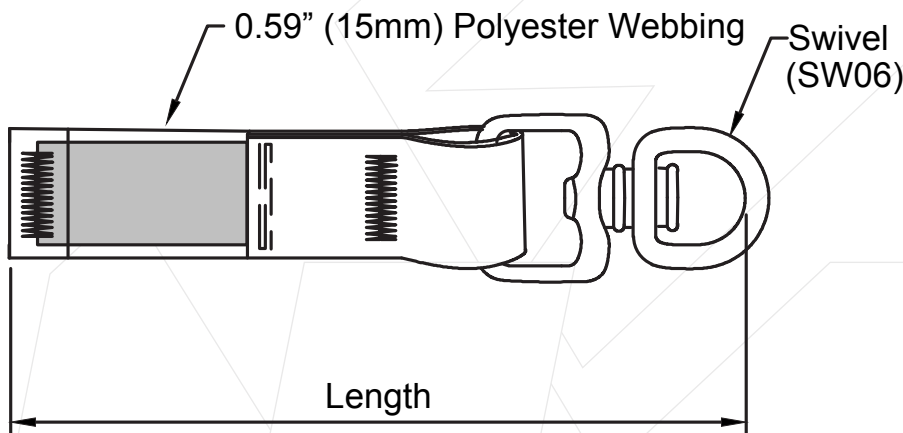
0.04 lbs. ± 0.002 lbs. (19 gm ± 1 gm)

### RELEVANT STANDARDS

Meets or Exceeds ANSI/ISEA 121-2018

# KAPTOR™

TOOL LANYARDS



Length- 6.5" (165mm)

Meets or Exceeds ANSI/ISEA 121-2018