

## KStrong® Kaptor™ Web Tool Tails M - 4.5 inches, 3 lbs. (ANSI)

Model: DL100302

**KAPTOR™**  
TOOL LANYARDS

### DESIGN

- Medium tool attachment made in 0.59" (15mm) polyester webbing with D-ring at one end and folded end at other end
- Provided with a lightweight D-ring

### MATERIAL

Webbing - 0.59" (15mm) Polyester.  
D-ring - Alloy Steel

### CAPACITY

3 lbs. (1360gm)

### LENGTH

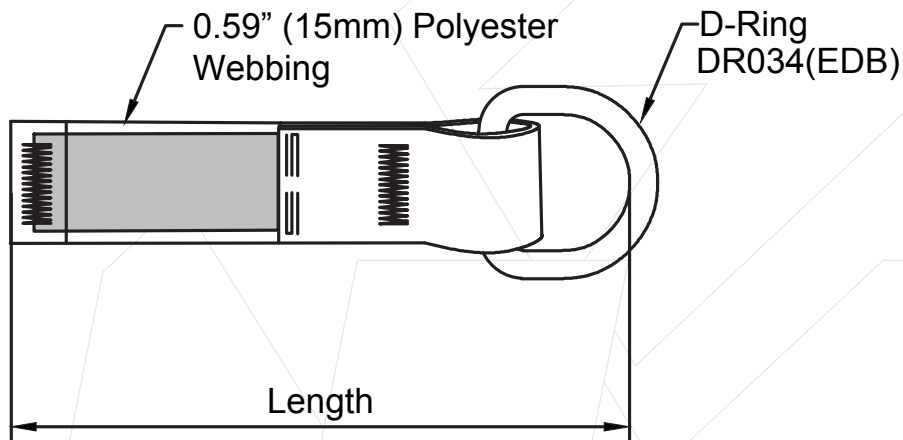
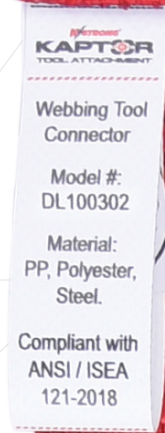
4.5" (114mm)

### WEIGHT

0.017 lbs. ± 0.002 lbs. (8 gm ± 1 gm)

### RELEVANT STANDARDS

Meets or Exceeds ANSI/ISEA 121-2018



Length- 4.5" (114mm)

Meets or Exceeds ANSI/ISEA 121-2018