

# IRSQ TRIPLE ATTACHMENT SINGLE FORGED PULLEY

AFX206017

## Features

- Single aluminum pulley, light weight, movable side plates which allow quick installation.
- Pulley is large enough to accommodate rope up to 13 mm diameter
- 3 Attachment Points each can accommodate a connector up to 16 mm diameter

## How To Use

Refer to User Instruction Manual



## Metal Components

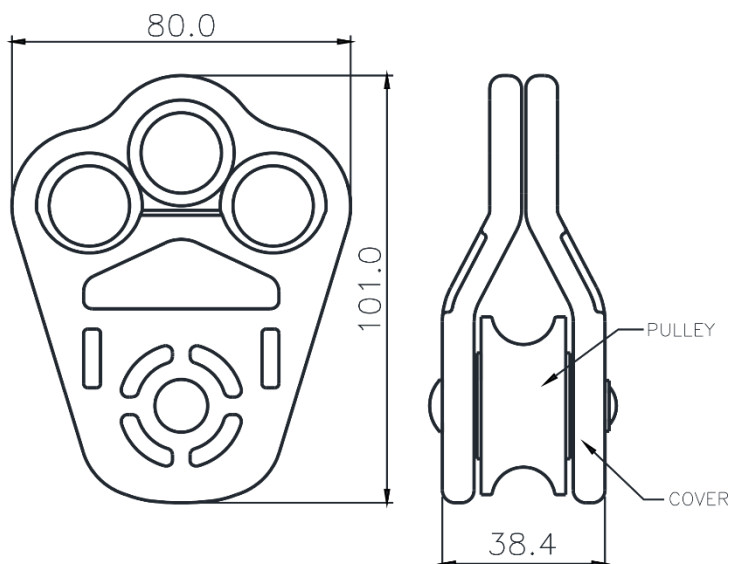
Material	:	6065 T5 Aluminum Alloy (Body) Stainless Steel Ball Bearing (Sheaves)
Finish	:	Anodized (Body) Polished (Sheaves)
Minimum Breaking Strength	:	45 kN

## Weight

328 gm ± 10 gm

## Relevant Standards

EN 12278:2007



CE 0598