

# DOUBLE MINI SS PULLEY WITH DOUBLE ATTACHMENT

AFX206008

## Features

- Double Stainless Steel Anchorage Pulleys on ball bearing, light weight, movable side/middle cover which allows quick installation.
- Pulley is large enough to accommodate rope up to 12 mm diameter
- Attachment Point can accommodate a connector up to 16 mm diameter

## How To Use

Refer to User Instruction Manual



## Metal Components

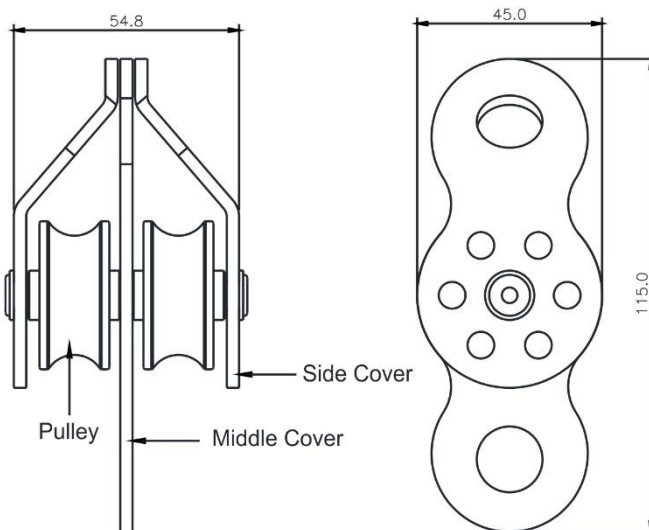
Material	:	Aluminum Alloy (Side Cover) Stainless Steel (Sheave)
Finish	:	Anodized (Side Cover) Electro-polished (Sheave)
Minimum Breaking Strength	:	25 kN

## Weight

325 gm  $\pm$  5 gm

## Relevant Standards

EN 12278:2007



CE 0598