

IRSQ ROPE TERMINATION ANCHOR

AFX203050

Features

- Provides an anchor point for lifelines using the top hole for connecting to anchorage and the others for threading the rope.
- Quick" emergency exits, lowering from one level to another level below using an escape rope and connecting hardware.
- Suitable to use with 16mm 3-strand double braid Rope or 11mm kernmantle rope lifeline.
- The plate provides a quick reusable field termination that eliminates the need for knots, splices, eyes or factory terminations on your ropes

How To Use

Refer to User Instruction



Metal Components

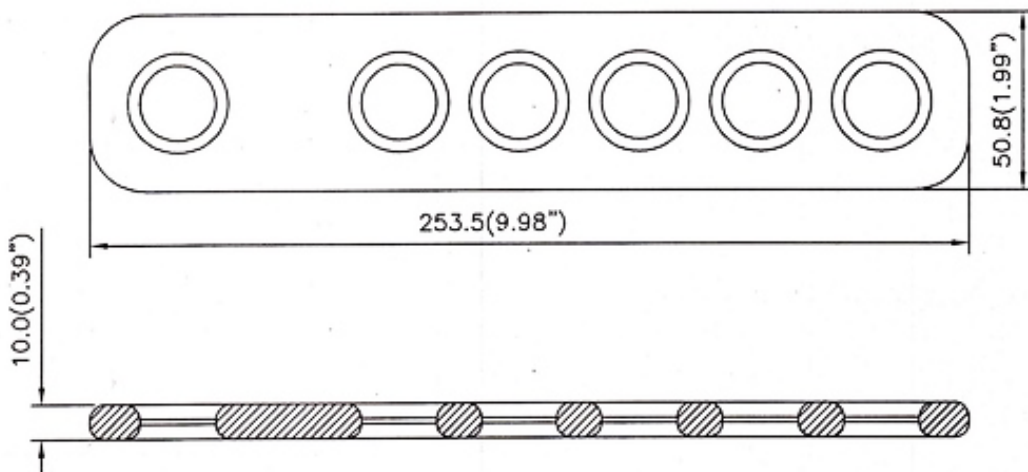
Material	:	High Strength Aluminum Alloy
Finish	:	Colored Anodized
Minimum Breaking Strength	:	23 kN (5000 lbs)

Weight

248.5 gm ± 5 gm

Relevant Standards

VG11 Sheet 114



CE 0598